



RMB1865 RMB1865E BOOM MOWER

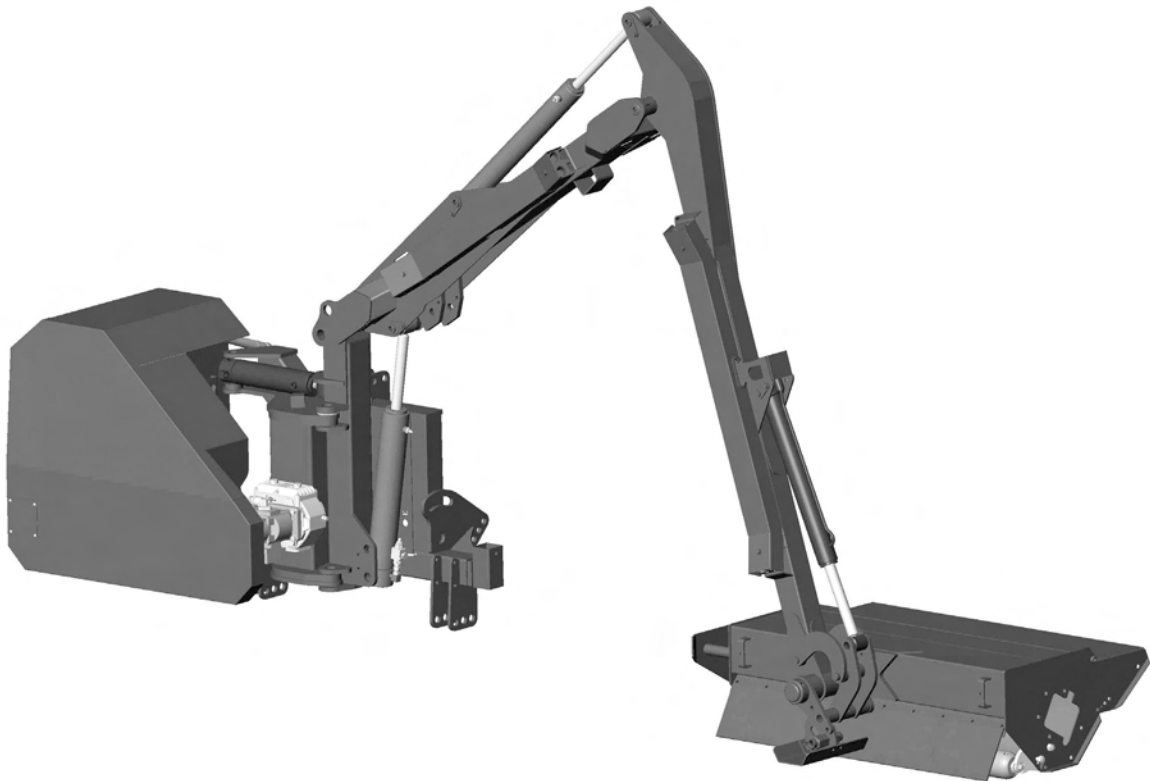
HYDRAULIC BOOM CUTTER

Published 04/11

PARTS MANUAL SECTION 93



An Operator's Manual was shipped with the equipment . The Operator's Manual is an integral part of the safe operation of this machine and must be maintained with the unit at all times. **READ, UNDERSTAND, and FOLLOW** the Safety and Operation Instructions contained in this manual before operating the equipment. If the Operator's Manual is not with the equipment, contact your dealer or Bush Hog to obtain a Free copy before operating the equipment.



BUSH HOG[®]

2501 Griffin Ave.
Selma, AL 36703
Parts Ordering 1-800-304-2836
www.bushhog.com

ATENCIÓN! LEA EL INSTRUCTIVO

Si No Lee Ingles, Pida Ayuda a Alguien
Que Si Lo Lea Para Que le Traduzca las
Medidas de Seguridad.



A MEMBER OF THE
ALAMO GROUP
ALWAYS ON THE CUTTING EDGE[®]

© 2011 Alamo Group Inc.

PARTS ORDERING GUIDE

The following instructions are offered to help eliminate needless delay and error in processing purchase orders for the equipment in this section.

1. The Parts Section is prepared in logical sequence and grouping of parts that belong to the basic machine featured in this manual. Part Numbers and Descriptions are given to help locate the parts and quantities required.
2. The Purchase Order must include the name and address of the person or organization ordering the parts, who should be charged, and if possible, the serial number of the machine for which the parts are ordered.
3. The Purchase Order must clearly list the quantity of each part, the complete and correct part number (be sure to include all periods), and the basic name of the part.
4. The Manufacturer reserves the right to substitute parts where applicable.
5. Some parts are unlisted items which are special production items not normally stocked and are subject to special handling. Request a quotation for such parts before sending a Purchase Order.
6. The Manufacturer reserves the right to change prices without prior notice.



For maximum safety and to guarantee optimum product reliability, always use genuine BUSH HOG Parts. The use of inferior replacement parts may cause premature or catastrophic failure which could result in serious injury or death. Direct any questions regarding parts to:

BUSH HOG
2501 Griffin Ave.
Selma, AL 36703
www.bushhog.com
Contact Us
800-304-2836



BUSH HOG®

To the Owner/Operator/Dealer

All implements with moving parts are potentially hazardous. There is no substitute for a cautious, safe-minded operator who recognizes the potential hazards and follows reasonable safety practices. The manufacturer has designed this implement to be used with all its safety equipment properly attached to minimize the chance of accidents.

BEFORE YOU START! Read the safety messages on the implement and shown in your manual. Observe the rules of safety and common sense!

DANGER

FAILING TO FOLLOW SAFETY MESSAGES AND OPERATING INSTRUCTION CAN CAUSE SERIOUS BODILY INJURY OR EVEN DEATH TO OPERATOR AND OTHERS IN THE AREA.

<p>1.</p> 	<p>2. NO RIDERS. NO CHILDREN OPERATORS</p> 	<p>3. USE SAFETY SHOES, HARD HAT, SAFETY GLASSES, SEAT BELTS ROPS & OPS.</p> 	<p>4. BLOCK UP SECURELY BEFORE WORKING UNDER.</p> 
----------------------------------------------------------------------------------------------------	-------------------------------------------------------------------------------------------------------------------------------------	----------------------------------------------------------------------------------------------------------------------------------------------------------------------------	----------------------------------------------------------------------------------------------------------------------------------------------

1. Study and understand Operator's Manuals, Safety Decals, and Instructional Decals for tractor and implement to prevent misuse, abuse, and accidents. Practice before operating in a confined area or near passersby.
• Learn how to stop engine suddenly in an emergency. Be alert for passersby and especially children.

2. Allow no children on or near folding mower or tractor. Allow no riders on tractor or implement. Falling off may cause serious injury or death from being run over by tractor or mower or contact with rotating blades.

3. Operate only with tractor having Roll-Over Protective Structure (ROPS) and with seat belt securely fastened to prevent injury and possible death from falling off or tractor overturn.
• Personal Protective Equipment such as Hard Hat, Safety Glasses, Safety Shoes, & Ear Plugs are recommended.


4. Block up or support raised machine and all lifted components securely before putting hands or feet under or working underneath any lifted component to prevent crushing injury or death from sudden dropping or inadvertent operation of controls. Make certain area is clear before lowering or folding.

5. Before transporting, put Lift Lever in detent or full-lift position. Install Transport Safety Devices securely on folding mowers. Put Booms securely in Transport Rest.
• Folding and Boom Mowers have raised center of gravity. Slow down when turning and on hillsides.

6. Make certain that SMV sign, warning lights, and reflectors are clearly visible. Follow local traffic codes.

7. Never operate with Cutting Head or Folding Section raised if passersby, bystanders, or traffic are in the area to reduce possibility of injury or death from objects thrown by Blades under Guards or mower structure.

8. Before dismounting, secure implement in transport position or lower to ground.
• Put tractor in park position or set brake, disengage PTO, stop engine, remove key, and wait until noise of rotation has ceased to prevent crushing by entanglement in rotating parts which could cause injury or death.
• Never mount or dismount a moving vehicle. Crushing from runover may cause serious injury or death.

<p>5. TRANSPORT SAFELY, LOCK UP.</p> 	<p>6. USE SMV, LIGHTS, & REFLECTORS.</p> 	<p>7. DO NOT OPERATE WITH CUTTER OR WING RAISED</p> 	<p>8. DO NOT MOUNT OR DISMOUNT WHILE MOVING.</p> 
---------------------------------------------------------------------------------------------------------------------------------	-----------------------------------------------------------------------------------------------------------------------------------------	-------------------------------------------------------------------------------------------------------------------------------------------------	-----------------------------------------------------------------------------------------------------------------------------------------------

02967827

WARRANTY INFORMATION:

Read and understand the complete Warranty Statement found in this Manual. Fill out the Warranty Registration Form in full and return it to within 30 Days. Make certain the Serial Number of the Machine is recorded on the Warranty Card and on the Warranty Form that you retain.

LIMITED WARRANTY



Bush Hog warrants to the original purchaser of any new Bush Hog equipment, purchased from an authorized Bush Hog dealer, that the equipment be free from defects in material and workmanship for a period of one (1) year for non-commercial, state and municipalities' use and ninety (90) days for commercial use from date of retail sale. The obligation of Bush Hog to the purchaser under this warranty is limited to the repair or replacement of defective parts.

Replacement or repair parts installed in the equipment covered by this limited warranty are warranted for ninety (90) days from the date of purchase of such part or to the expiration of the applicable new equipment warranty period, whichever occurs later. Warranted parts shall be provided at no cost to the user at an authorized Bush Hog dealer during regular working hours. Bush Hog reserves the right to inspect any equipment or parts which are claimed to have been defective in material or workmanship.

DISCLAIMER OF IMPLIED WARRANTIES & CONSEQUENTIAL DAMAGES

Bush Hog's obligation under this limited warranty, to the extent allowed by law, is in lieu of all warranties, implied or expressed, **INCLUDING IMPLIED WARRANTIES OF MERCHANTABILITY AND FITNESS FOR A PARTICULAR PURPOSE** and any liability for incidental and consequential damages with respect to the sale or use of the items warranted. Such incidental and consequential damages shall include but not be limited to: transportation charges other than normal freight charges; cost of installation other than cost approved by Bush Hog; duty; taxes; charges for normal service or adjustment; loss of crops or any other loss of income; rental of substitute equipment, expenses due to loss, damage, detention or delay in the delivery of equipment or parts resulting from acts beyond the control of Bush Hog.

THIS LIMITED WARRANTY SHALL NOT APPLY:

1. To vendor items which carry their own warranties, such as engines, tires, and tubes.
2. If the unit has been subjected to misapplication, abuse, misuse, negligence, fire or other accident.
3. If parts not made or supplied by Bush Hog have been used in connection with the unit, if, in the sole judgement of Bush Hog such use affects its performance, stability or reliability.
4. If the unit has been altered or repaired outside of an authorized Bush Hog dealership in a manner which, in the sole judgement of Bush Hog, affects its performance, stability or reliability.
5. To normal maintenance service and normal replacement items such as gearbox lubricant, hydraulic fluid, worn blades, or to normal deterioration of such things as belts and exterior finish due to use or exposure.
6. To expendable or wear items such as teeth, chains, sprockets, belts, springs and any other items that in the company's sole judgement is a wear item.

NO EMPLOYEE OR REPRESENTATIVE OF BUSH HOG IS AUTHORIZED TO CHANGE THIS LIMITED WARRANTY IN ANY WAY OR GRANT ANY OTHER WARRANTY UNLESS SUCH CHANGE IS MADE IN WRITING AND SIGNED BY BUSH HOG'S SERVICE MANAGER, 2501 GRIFFIN AVE., SELMA, ALABAMA 36703.



Record the model number, serial number and date purchased. This information will be helpful to your dealer if parts or service are required.

MODEL NUMBER _____

SERIAL NUMBER _____

DATE OF RETAIL SALE _____

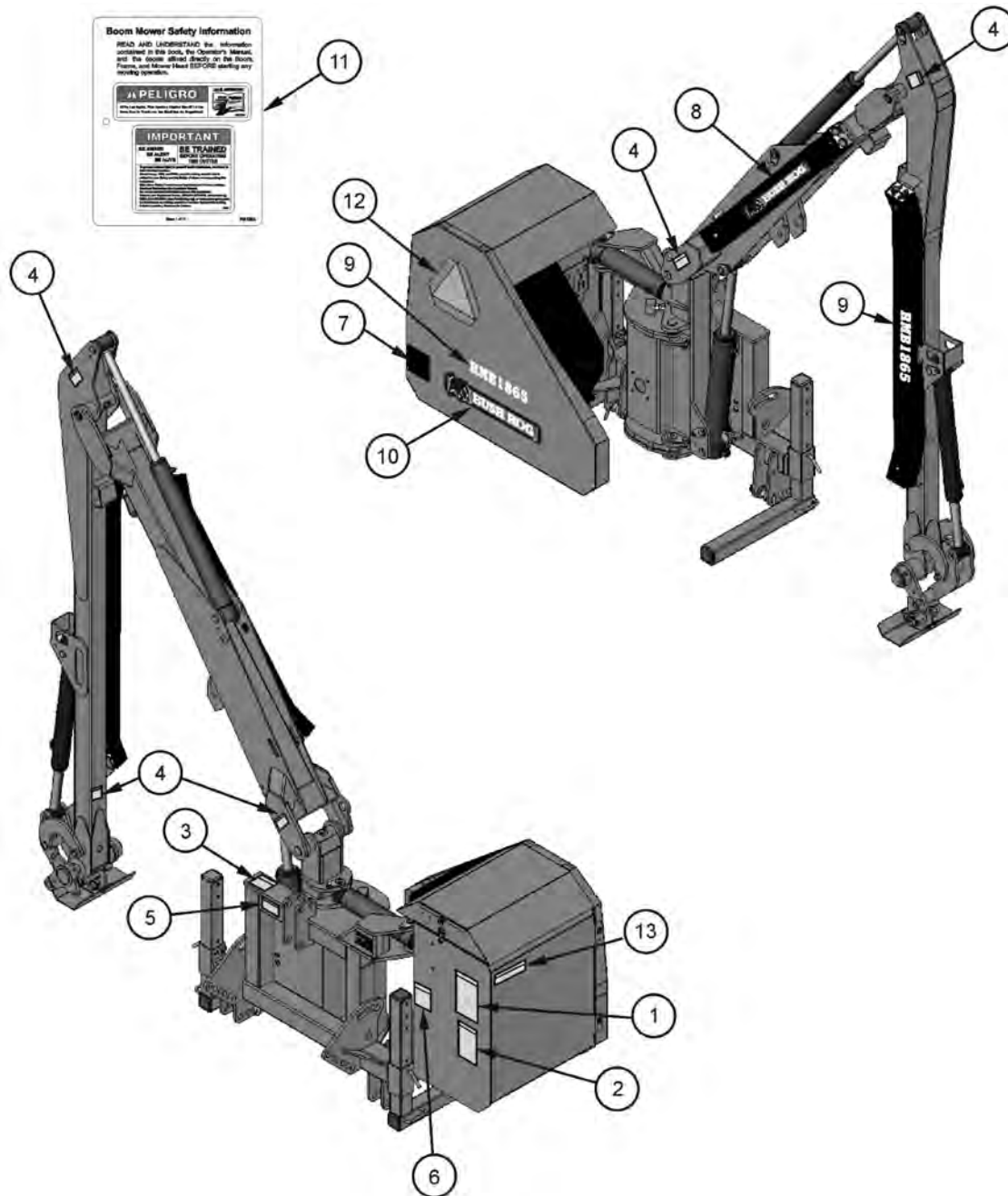
MAKE CERTAIN THE WARRANTY
HAS BEEN FILED WITH BUSH HOG
SELMA, ALABAMA

ALPHABETICAL INDEX

RMB11865 / 1865E BOOM MOWER

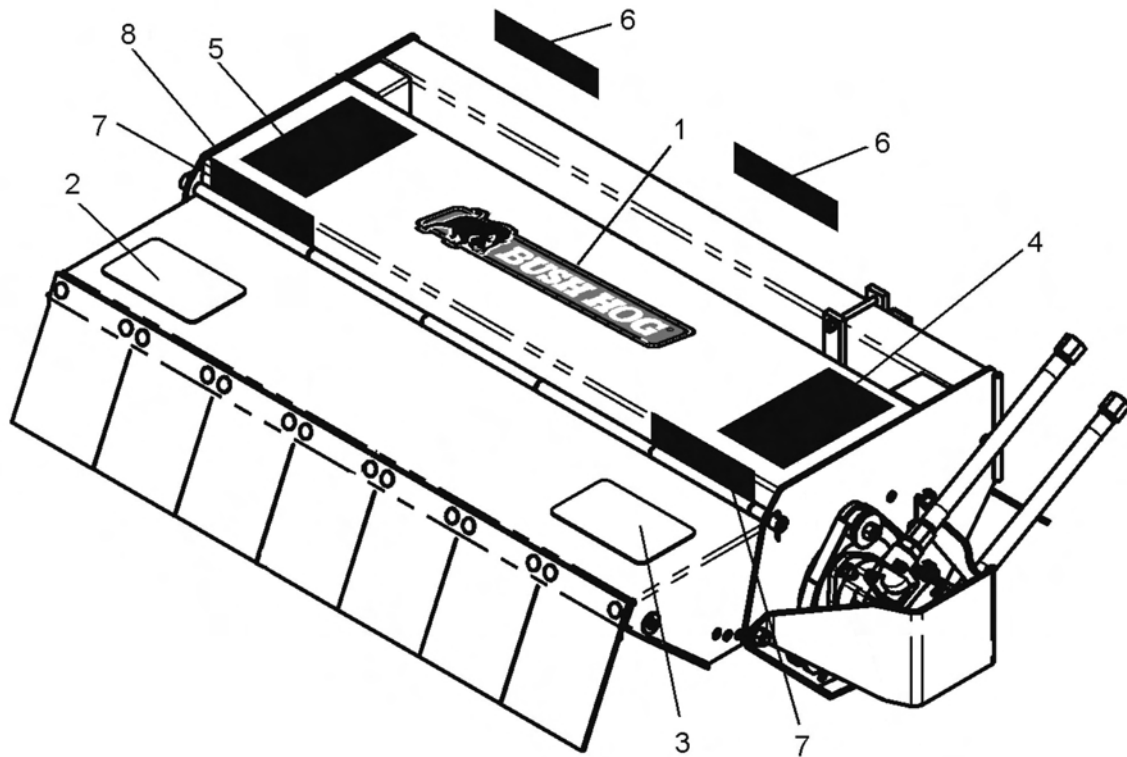
ITEM	PAGE NUMBER
100 LPM DRIVE MODULE - SUPERCUT AND MULTICUT	93-1-44
CAB CONTROL MOUNT	93-1-38
CABLE ACV	93-1-36
CABLE RCV ASSEMBLY	93-1-34
CASING - SUPERCUT FLAILHEAD	93-1- 43
DIPPER ARM	93-1-5
FILTER AND DIFUSER ASSEMBLY	93-1-16
FLAIL HEAD - MULTICUT	93-1-50
FLAILHEAD - SUPERCUT (47" WIDE)	93-1-42
FRONT FLAP KIT, SUPERCUT AND MULTICUT	93-1-48
GEARBOX ASSEMBLY - PARTS	93-1-26
GUARD KIT	93-1-39
HEAD, ANGLING	93-1-6
HOSE KIT RMB1865	93-1-29
HOSE KIT RMB1865E	93-1-30
HYDRAULIC CYLINDER - ANGLE	93-1-23
HYDRAULIC CYLINDER - LIFT	93-1-22
HYDRAULIC CYLINDER - REACH	93-1-21
HYDRAULIC CYLINDER - SLEW	93-1-20
HYDRAULIC HOSES AND FITTINGS	93-1-18
HYDRAULIC TANK	93-1-14
LIFT FLOAT KIT	93-1-56
LIGHT KIT	93-1-58
MAIN ARM	93-1-4
MAIN FRAME	93-1-10
MOTOR COVER - MULTICUT	93-1-54
MOTOR COVER 1.2M SUPERCUT	93-1-46
PILLAR, RH	93-1-8
PUMP AND GEARBOX ASSEMBLY	93-1-24
PUMP ASSEMBLY	93-1-28
QUAD DRIVE MODULE - MULTICUT	93-1-53
ROLLER 1.2 SUPERCUT	93-1-47
ROLLER ASSEMBLY - MULTICUT	93-1-52
ROTOR MODULE - MULTICUT	93-1-51
ROTOR MODULE - SUPERCUT	93-1-45
SAFETY DECALS (BOOM)	93-1-1
SAFETY DECALS (CUTTER HEAD)	93-1-2
SHEARTRIM SICKLEBAR (59" WIDE)	93-1-40
SHIELDING	93-1-12
SKID KIT - MULTICUT	93-1-55
SKID KIT, SUPERCUT	93-1- 49
STABILIZER	93-1-3
SWITCHBOX ASSY. RMB1865E	93-1-33
VALVE ASSEMBLY RMB1865E	93-1-32

SAFETY DECALS (BOOM)



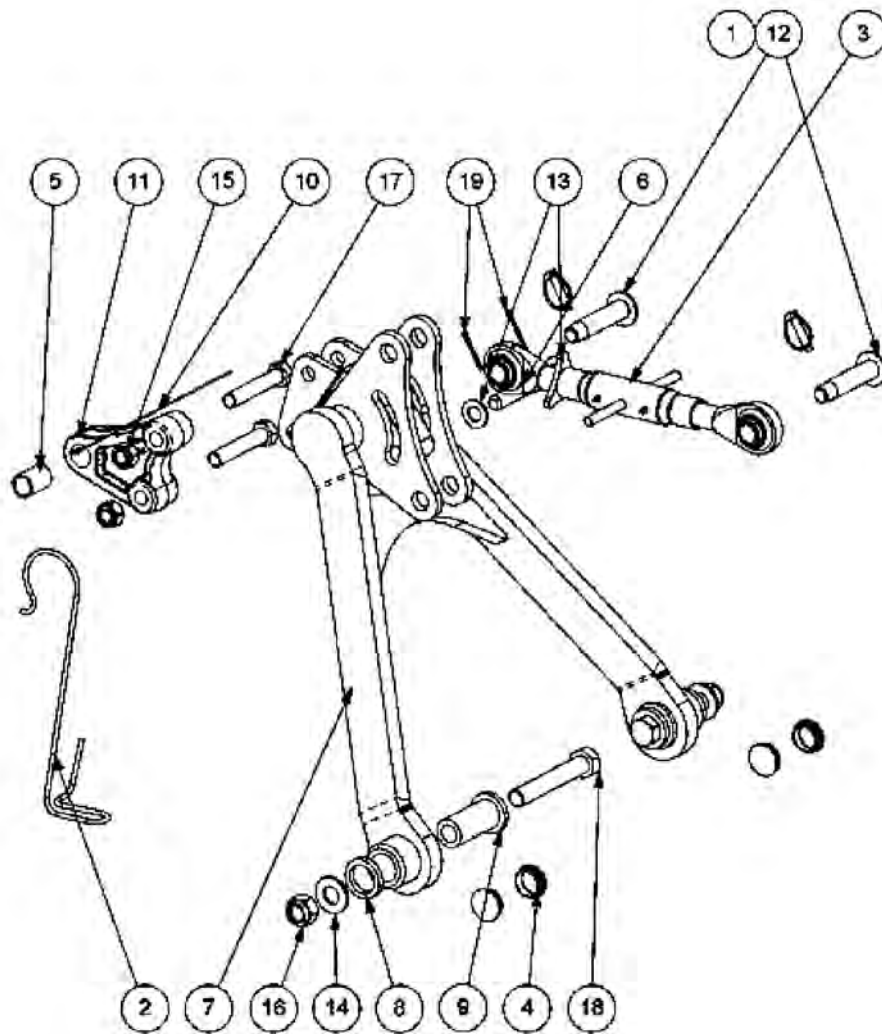
REF. NO.	PART NO.	DESCRIPTION	QTY.
1	D433	Decal, Multi Hazard	1
2	D388	Decal, Driveline Hazard	1
3	D355	Decal, Important Check Chains	1
4	02962764	Decal, Warning Pinch Point	6
5	02962765	Decal, Danger Crushing Hazard	1
6	02965262	Decal, Warning Oil Leak	1
7	D354	Decal, Danger Crushing Hazard	1
8	50065309	Decal, Bush Hog Logo 14.85"	1
9	50068739	Decal, Model No. 1865	2
10	50061049	Decal, Bush Hog Logo (22")	1
11	D524	Booklet, Safety	1
12	83380	Reflector, Smv Triangle	1
13	D569	Decal, Warning Oper. Only Wit Cab Tractor	1

SAFETY DECALS (CUTTER HEAD)



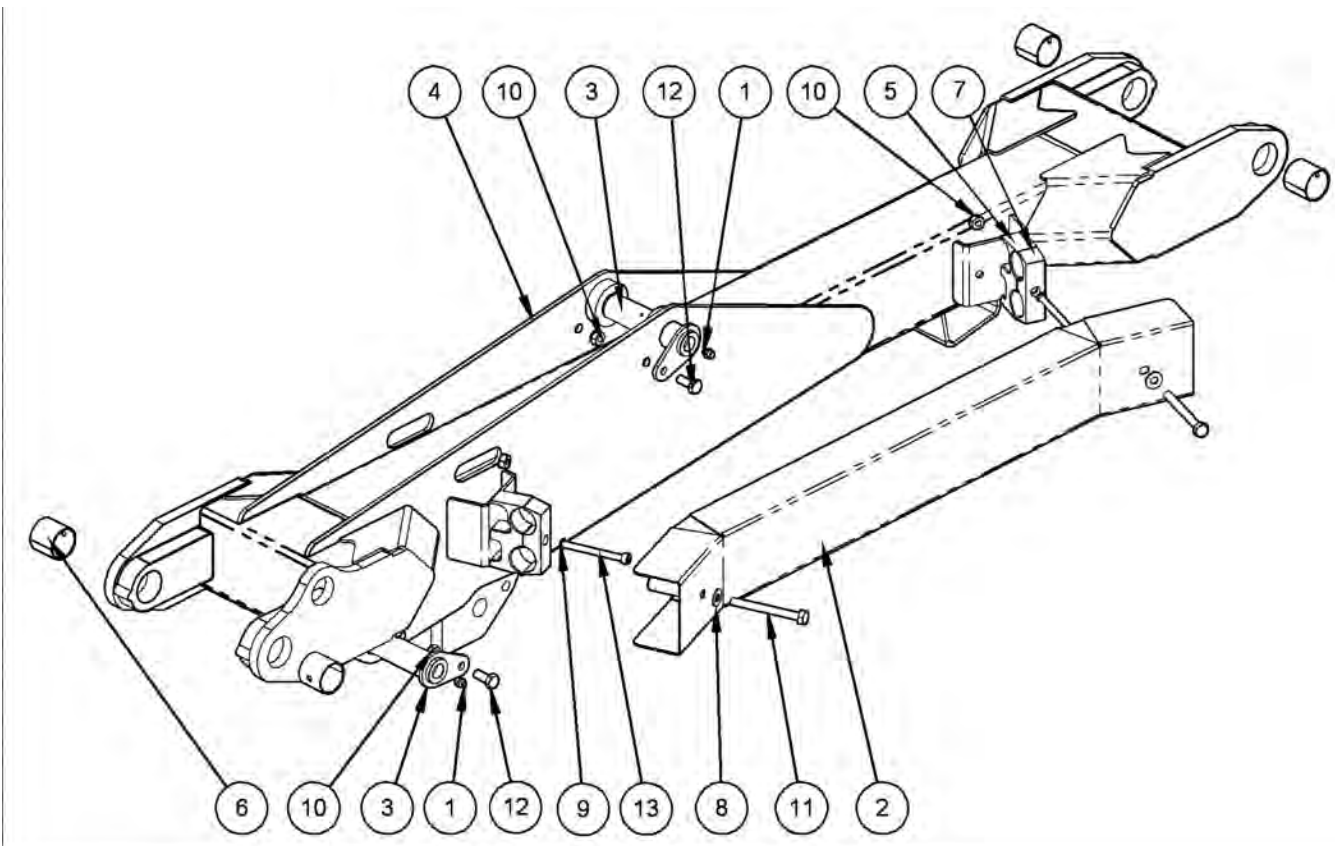
REF. NO.	PART NO.	DESCRIPTION	QTY.
1	50061049	Decal, Bush Hog Logo (22")	1
2	24028	Decal, Deflector Warning	1
3	02965141	Decal, Warning Thrown Objects	1
4	1290738	Decal, Instruction	1
5	09.821.35	Decal, Instruction Multi	1
6	1458392	Reflector, Red	2
7	1458393	Reflector, Yellow	2
8	09.810.01	Decal, Instruction Grease	2

STABILIZER



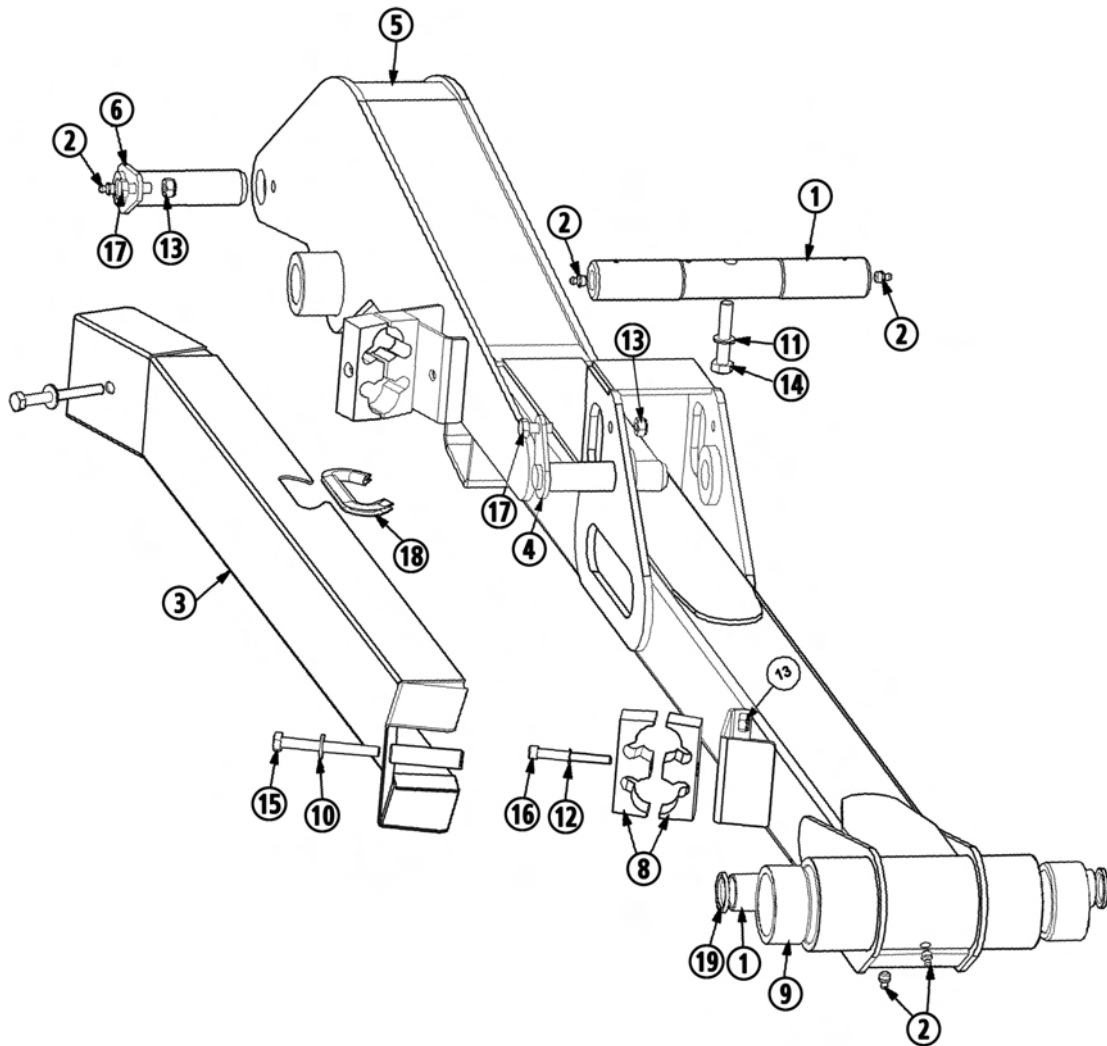
REF. NO.	PART NO.	DESCRIPTION	QTY.
1	431217	Linch Pin, Med.7/16	2
2	21160.03	Pto Hook Support-Plated	1
3	21370.07	Top Link Assy - 357 To 517mm	1
4	21388.01	Plastic Insert 45mm Dia	4
5	21883.01	Sleeve Hfs Tube 38.6 X 6.3 Wal	1
6	22072.01	Quadrant Pin-Stabilizer	1
7	41205.13	Narrow Nose Stabilizer W.A.	1
8	45999.04	Spacer 55 X 40.5 X 9	2
9	45999.05	Spacer Sleeve	2
10	7196045	Hose Tie- 350.0lg	1
11	7499506c	Stabilizer Tongue Cat.3-Cast	1
12	7560144	Pin-Top Link	2
13	9100108	Flatwasher M20	2
14	9100109	Flatwasher M24 Bzp	2
15	9163008	Nyloc Nut M20	2
16	9163009	Nyloc Nut M24	2
17	9213228	Bolt	2
18	9213309	Capscrew M24 X 150	2
19	0425540	Roll Pin M5 X 40	2

MAIN ARM



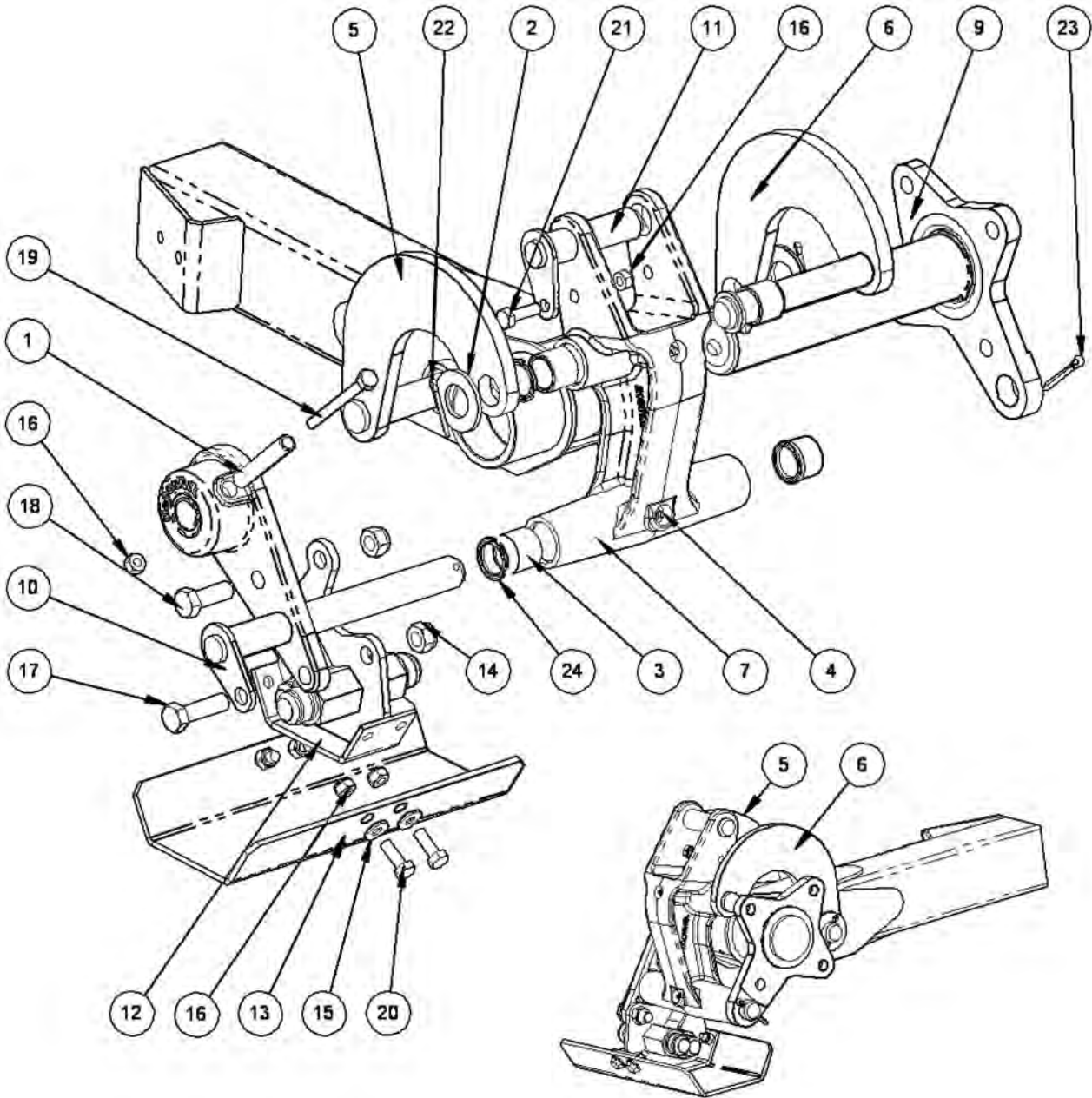
REF. NO.	PART NO.	DESCRIPTION	QTY.
1	0901121	Grease Nipple,1/8	2
2	22522.01	Hose Guard W/A Black	1
3	45202.06	Lift Base Pin W/Assy	2
4	45318.05	Main Arm RMB1865/RMB1865E	1
5	06.430.18	Clamp,Lower Hose	2
6	7115208	Bushing 40 X 44 X 40	4
7	7193063	1"Bsp Pair Hose Clamps	2
8	9100105	Flatwasher 10.5 X 23.5 X 2.0	2
9	9100404	Washer, M8 External Shakeproof	2
10	9163005	Nut M10 Nyloc	4
11	9213205	Capscrew M10 X 100	2
12	9313055	Capscrew M10 -1.5 X 25	2
13	9343184	Capscrew M8 X 90 Bzp	2

DIPPER ARM



REF. NO.	PART NO.	DESCRIPTION	QTY.
1	08.297.04	Bushing 37 X 30 X 30	2
2	0901121	Grease Nipple,1/8	5
3	22522.04	Hose Guard W/A Black	1
4	42684.07	Pin W/A Dipper Ram	1
5	45063.14	RH Dipper Arm W.A.	1
6	45202.01	Pin W/A - T/Link Outer	1
7	45264.03	Main Pivot Pin	1
8	45630.01	Clamp,Hose	4
9	7136035	Bushing,Flail Head	2
10	9100105	Flatwasher, 10.5 X 23.5 X 2.0	2
11	9100206	Lockwasher 12mm	1
12	9100404	Washer, M8 External Shakeproof	2
13	9163005	Nut M10 Nyloc	4
14	9213136	Capscrew M 12-P1.75 X 65mm	1
15	9213205	Capscrew M10 X 100	2
16	9243154	Capscrew M8 X 75 Lg Bzp	2
17	9313055	Capscrew M 10-P1.50 X 25mm 5	2
18	41741.16	Edging Strip - 160mm Lg	1
19	8629218	Seal,Lip 30 X 40 X 4	2

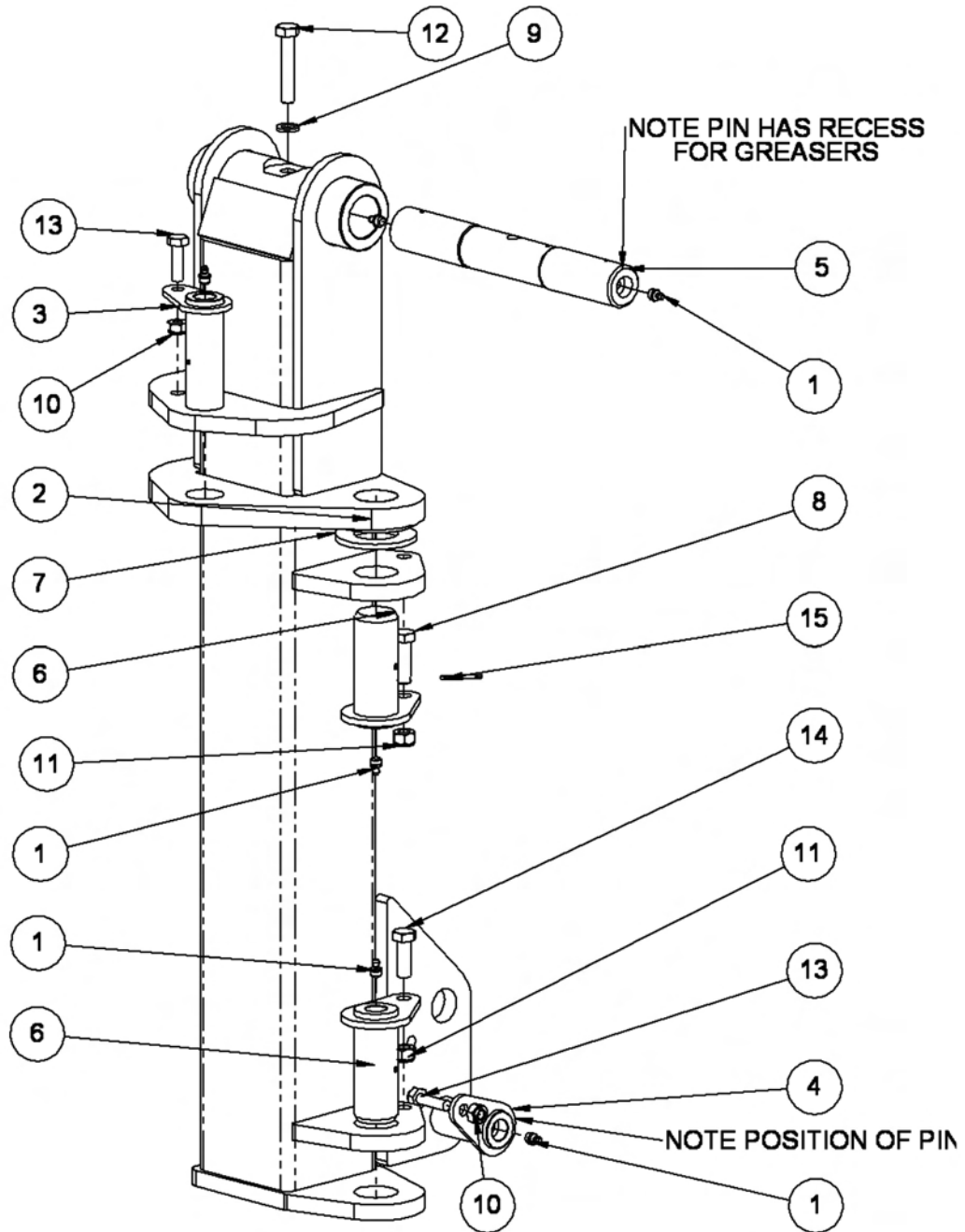
HEAD, ANGLING



HEAD, ANGLING

REF. NO.	PART NO.	DESCRIPTION	QTY.
1	0423556	Spring Dowel 5/8in X 3-1/2in	1
2	05.281.18	Flat Washer 30mm - Plated	2
3	08.297.04	Bushing 37 X 30 X 30	4
4	0901121	Grease Nipple, 1/8	2
5	42646.03	Radius Arm	1
6	42646.04	Radius Arm	1
7	21801.01	Slave Link Casting	1
8	42648.01c	Jaw Plt Cast 30.0 Pivots	1
9	42649.01	Pivot Tube	1
10	42684.01	Pin	1
11	42684.05	Pin - 30mm X 116 Lg	1
12	43055.09	Hose Brkt 1.5/16 Jic	1
13	7198333	Hose Tray	1
14	9100028	Nut	2
15	9100105	Flatwasher 10.5 X 23.5 X 2.0	4
16	9163005	Nut M10 Nyloc	6
17	9200023	Bolt Ht M16 X 1.5p X 55lg	1
18	9200028	Bolt	1
19	9213205	Bolt M10 X 100	1
20	9313065	Capscrew M 10-P1.5 X 30mm P15	4
21	9313075	Capscrew M 10-P1.50 X 35mm 5	1
22	0425540	Roll Pin M5 X 40	2
23	02971717	Roll Pin M6 X 50	1
24	8629218	Seal, 30 X 40 X 4	4

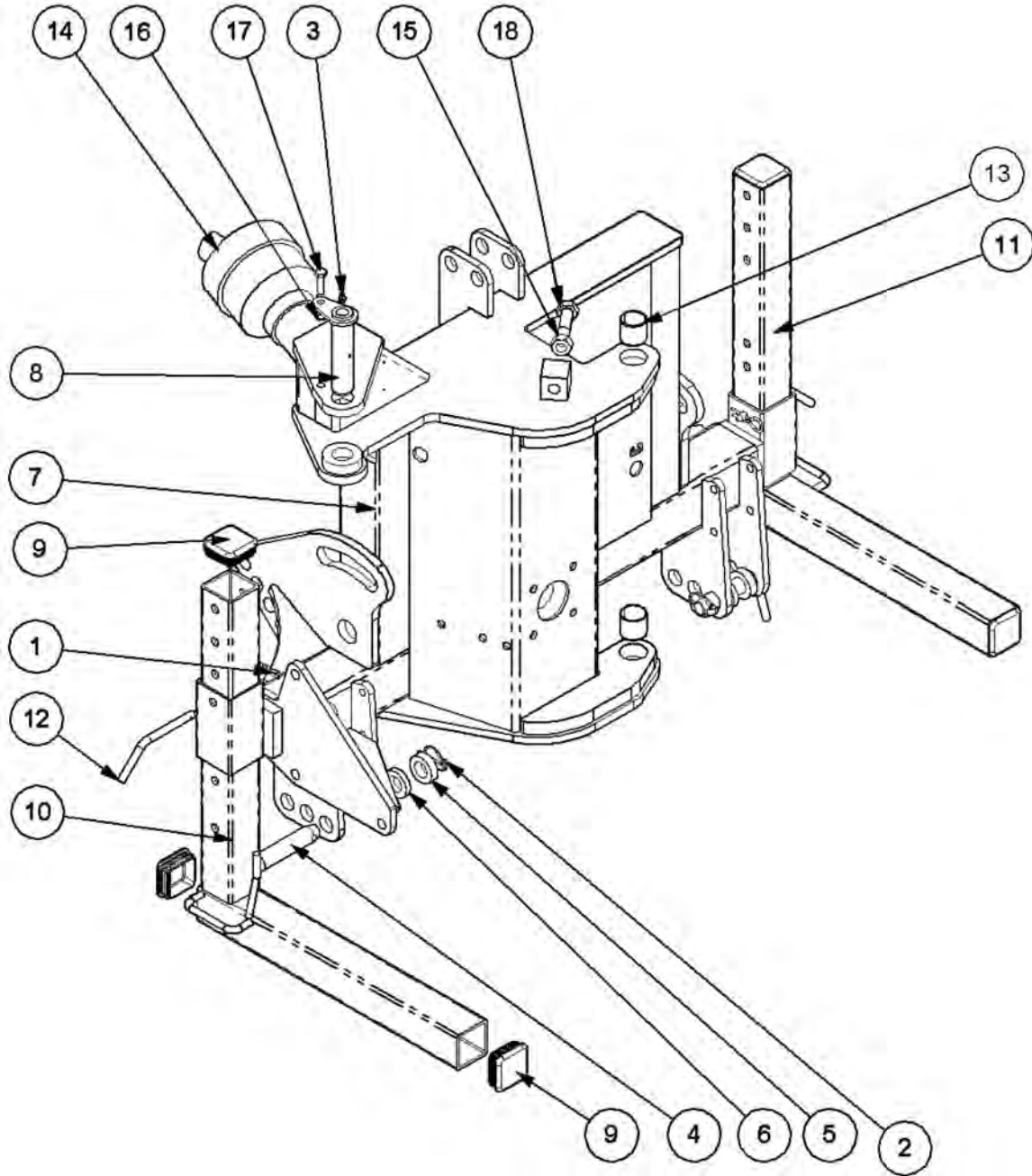
PILLAR, RH



PILLAR, RH

REF. NO.	PART NO.	DESCRIPTION	QTY.
1	0901121	Grease Nipple, 1/8	6
2	45192.10	RH Pillar	1
3	45202.04	Pin W/A - Slew Rod	1
4	45202.07	Pin W/A - Left Ram Base	1
5	45264.03	Main Pivot Pin	1
6	45271.01	Pivot Pin	2
7	45298.01	Thrust Washer 75 X 41 X 5	1
8	45416.01	Screw, Special M12 X 40 Drilled	1
9	9100206	Lockwasher, 12mm	1
10	9163005	Nut M10 Nyloc	2
11	9163006	Nut Nyloc M12	2
12	9213136	Capscrew M 12-P1.75- 65mm	1
13	9313075	Capscrew M 10-P1.50- 35mm	2
14	9313076	Capscrew M 12-P1.75- 35mm	1
15	9501255	Cotter Pin 4mm X 25mm	1

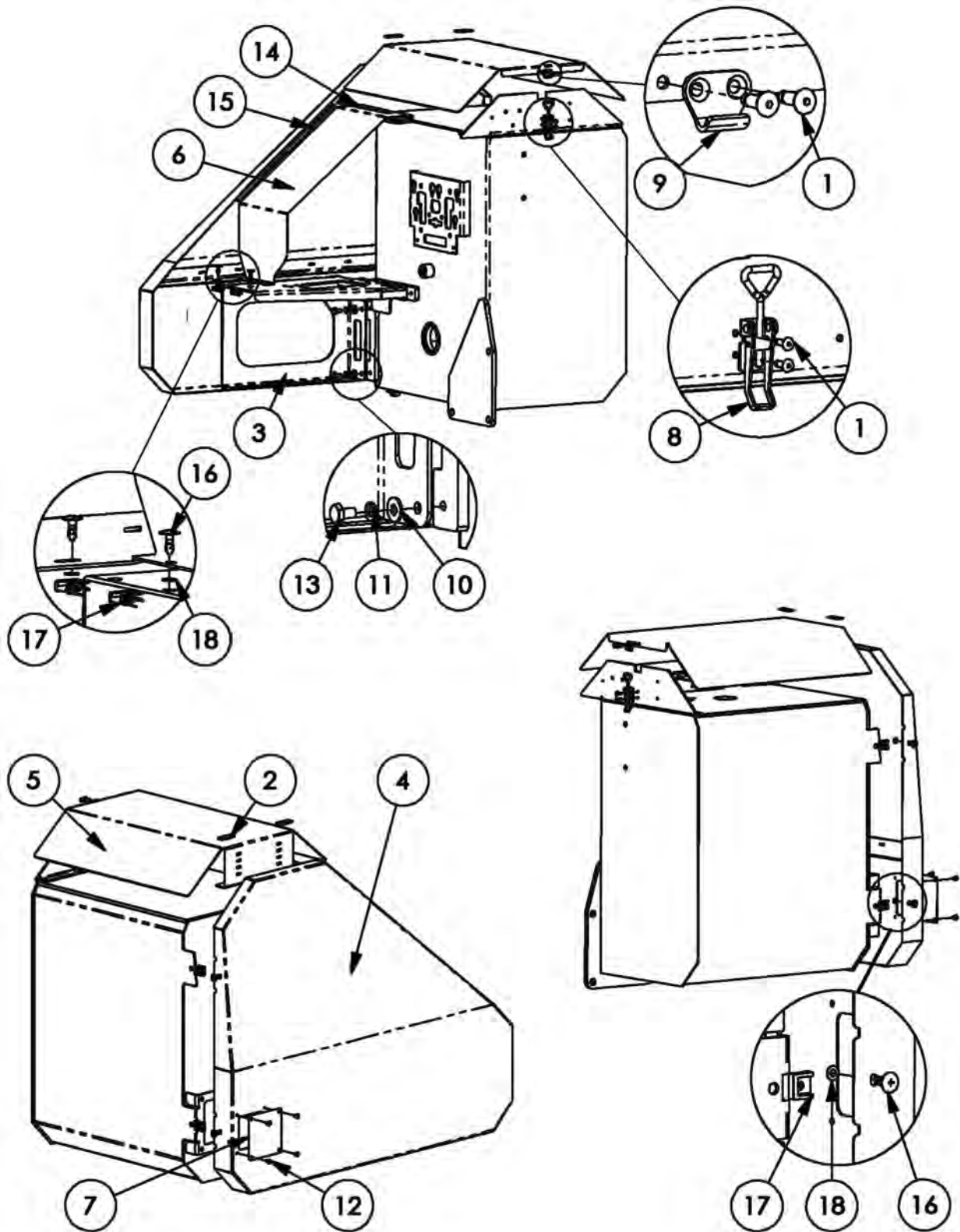
MAINFRAME



MAINFRAME

REF. NO.	PART NO.	DESCRIPTION	QTY.
1	0431105	Pin, Cotter	2
2	0431217	Linch Pin, Med.7/16	2
3	0901121	Grease Nipple, 1/8	1
4	41559.01	Linkage Pin Cat 2	2
5	43332.01	Spacer, 15 Lg.	2
6	43332.02	Spacer, 10 Lg.	2
7	45193.10	RH Mainframe	1
8	45202.05	Pin	1
9	45210.01	Plug, Plastic, Square	6
10	45293.01	Stand Leg Lh	1
11	45293.02	Stand Leg Rh	1
12	45297.01	Leg Pin	2
13	7115208	Bushing 40 X 44 X 40 Glacier	2
14	7136330	Driveline, 27 Pin Ctrs	1
15	9113008	Nut M 20 - P2.5	1
16	9163005	Nut M10 Nyloc	1
17	9313075	Capscrew M10-P1.50- 35mm	1
18	9313118	Capscrew M20 X 55 (Coarse) H.T.	1

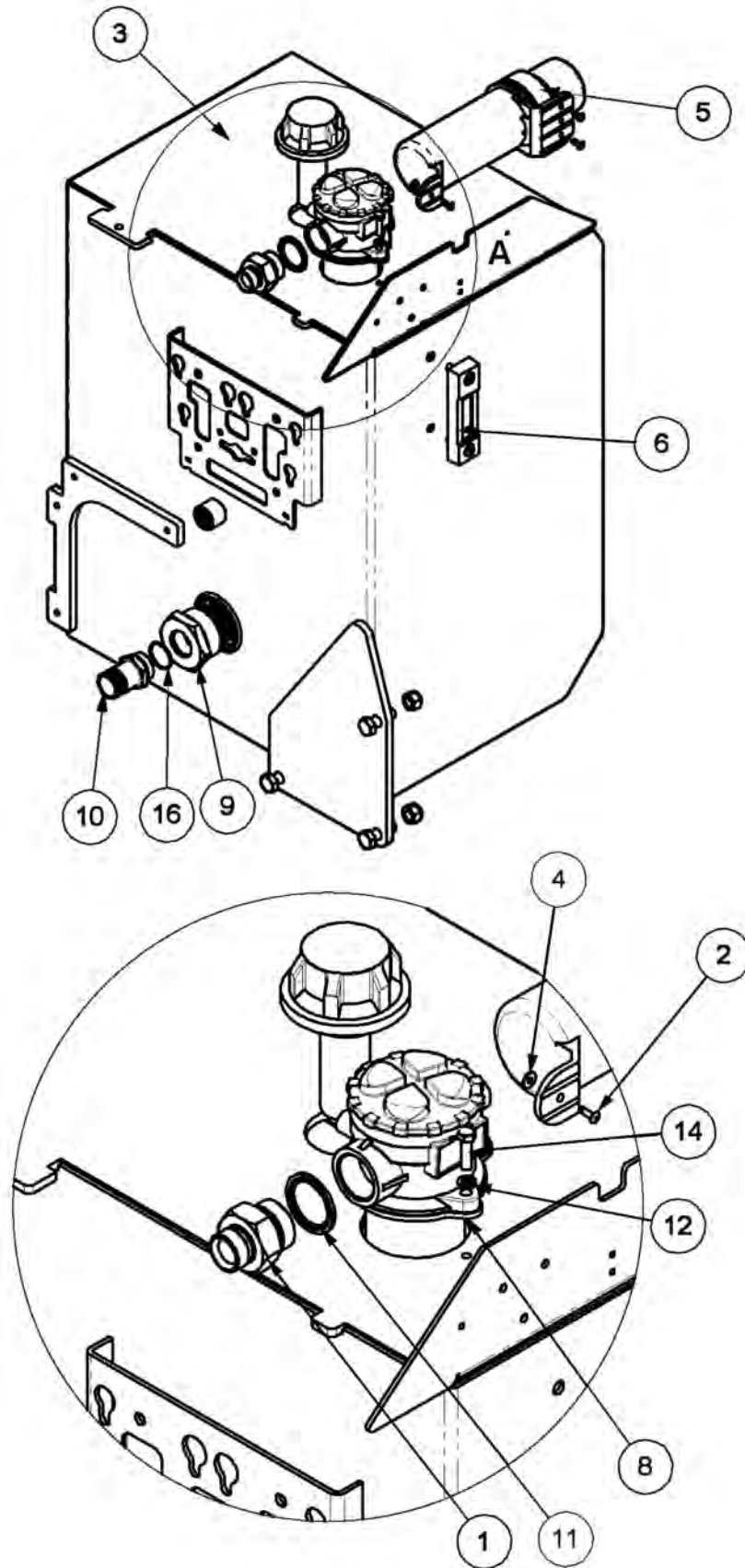
SHIELDING



SHIELDING

REF. NO.	PART NO.	DESCRIPTION	QTY.
1	21612.01	Pop Rivet Dia 4.8 X 16 Lg	4
2	21726.31	Sponge Pad	2
3	22472.02	RH Cover & Valve Mtg	1
4	22476.04	RH Rear Cover W.A.	1
5	22477.03	Tank Top Cover	1
6	22513.02	RH Valve Cover	1
7	22531.01	Blanking Plate-Rear Cover	1
8	43449.02	Overcentre Fastener	1
9	46007.01	Hook-Small	1
10	9100105	Flatwasher, 10.5 X 23.5 X 2.0	4
11	9100205	Lockwasher- 10mm Dia. Bzp	4
12	9300164	Taptite M6 X 12	4
13	9313035	Capscrew M 10-P1.50- 16mm	4
14	21726.34	Foam Strip 275mm Lg	1
15	21726.35	Foam Strip 410mm Lg	1
16	22549.01	Short Nose, Slotted Head Size 8,	4
17	22549.02	Fast Turn Size 8 Slip On	4
18	22549.03	Fast Turn Plastic Retainer	4

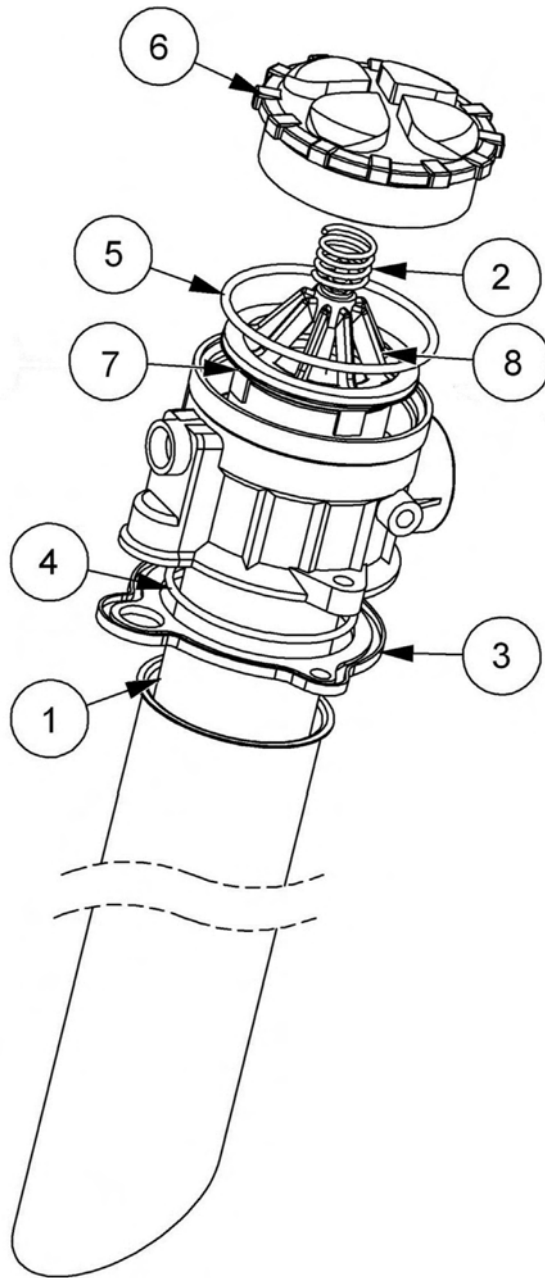
HYDRAULIC TANK



HYDRAULIC TANK

REF. NO.	PART NO.	DESCRIPTION	QTY.
1	05.131.01	Adaptor 1" X 1.1/4" Bsp	1
2	21612.02	Pop Rivet Dia 4.8 X 16 Lg	3
3	22470.04	Tank W.A.-RH Pa47,Pa50 & Eco	1
4	22530.01	Rivet Washer-For 4.8 Dia Rivet	3
5	46505.01	Plastic Manual Holder Us	1
6	8401048	Gauge,Level	1
7	8401050	Asy, Filler Breather Ucp Ab 13	1
8	8401088	Filter Assy Incl Diffuser	1
9	8401097	Suction Stranier 125 Micron	1
10	8581260	Adp.Hyd. 1-1/4bsp X 1-1/2bsp	1
11	8650109	1-1/4 bsp Bonded Seal	1
12	9100204	Spring Washer 8mm	2
13	9163007	M16 Nyloc Nut	3
14	9313064	Capscrew M8 X 30 (Coarse)	2
15	9313097	Capscrew M16 X 45 Coarse H.T.	3
16	8700784	O Ring 202-784-4480	1

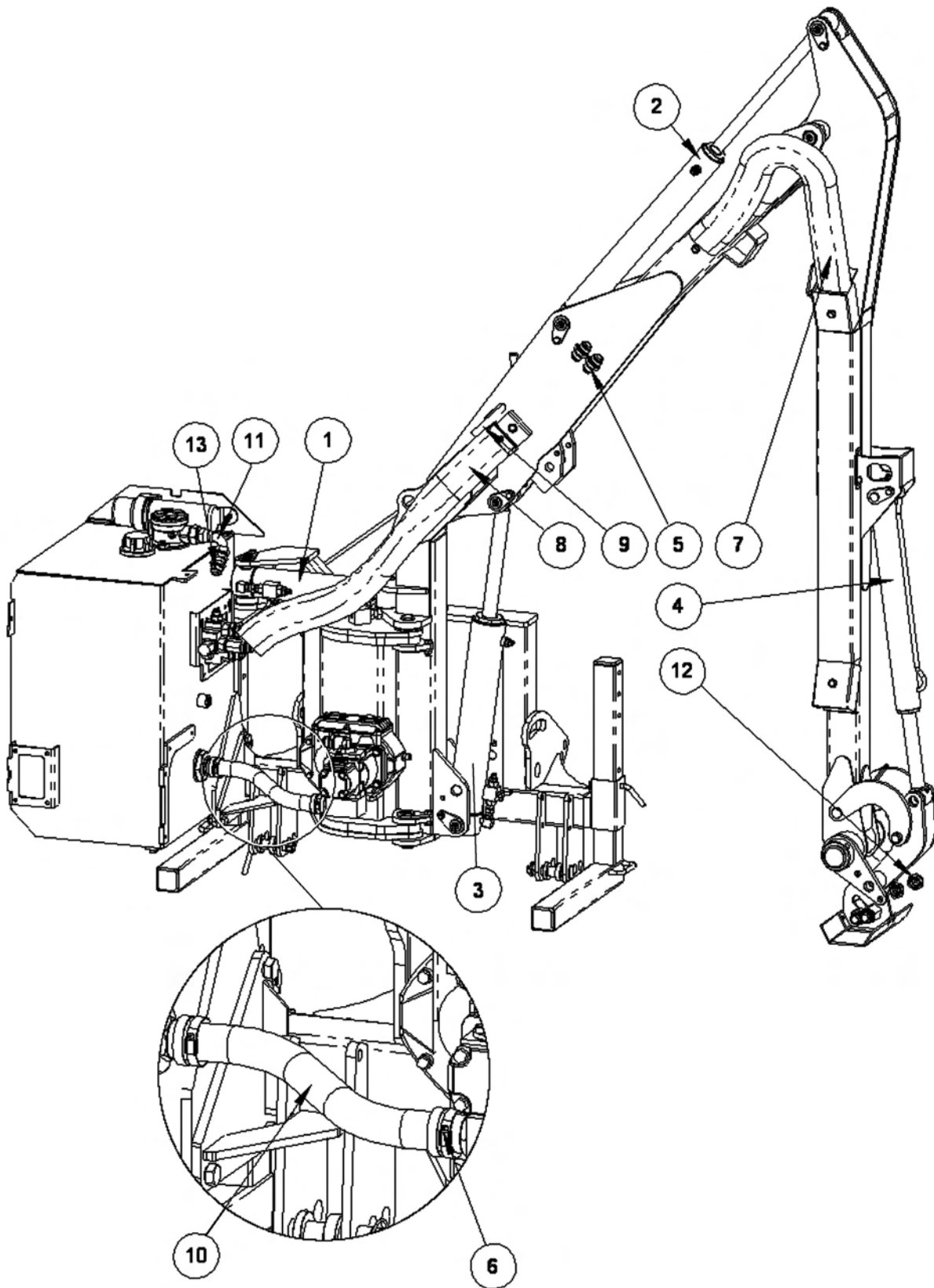
FILTER AND DIFUSER ASSEMBLY



FILTER AND DIFUSER ASSEMBLY

REF. NO.	PART NO.	DESCRIPTION	QTY.
1	8401089	Filter Element	1
2	8401092	Filter Lid Spring	1
3	8401093	Filter Housing Seal	1
4	8700235	O-Ring 200-235-4480	1
5	8700092	O-Ring 204-192-4480	1
6	212.013.04	Filter Cap	1
7	8401103	Moulded Seal For 8401088	1
8	8401104	Plastic Filter Housing	1

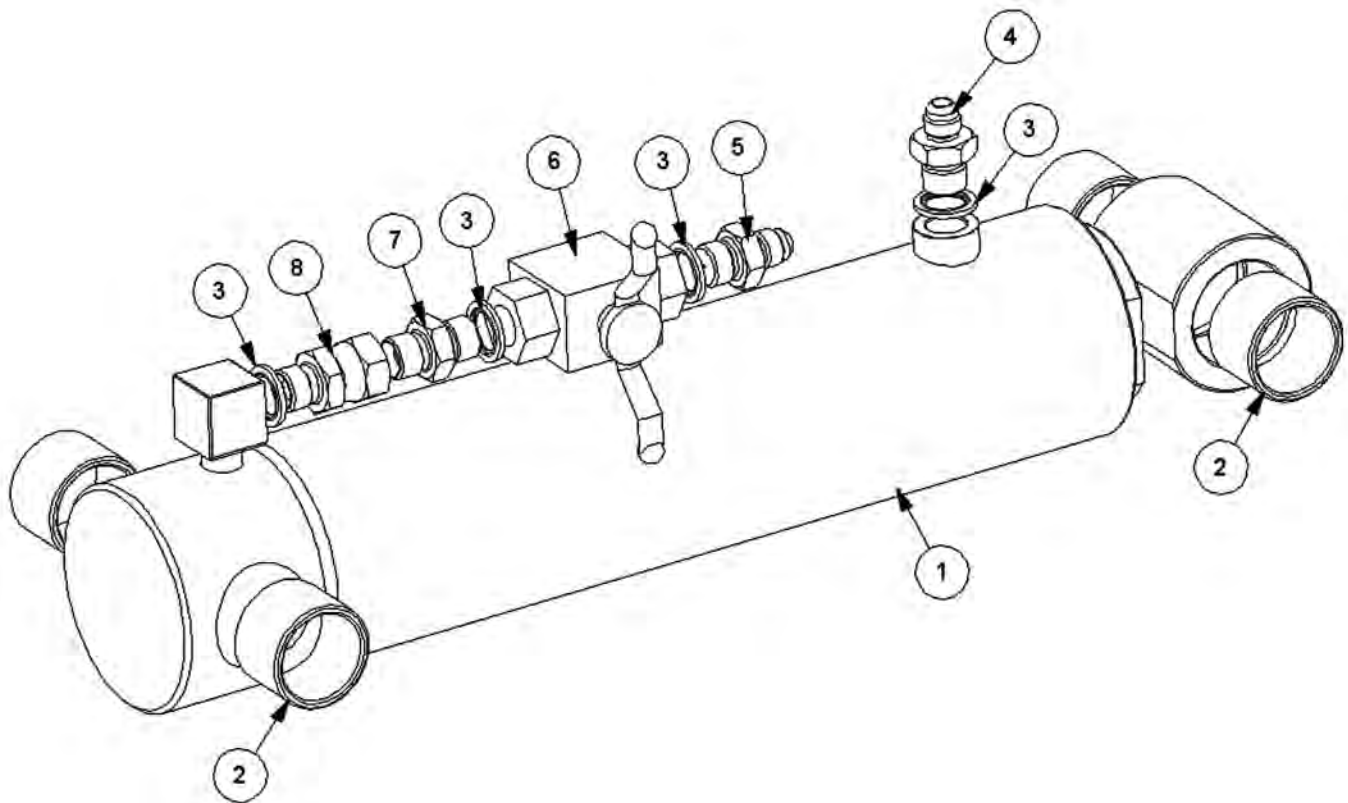
HYDRAULIC HOSES AND FITTINGS



HYDRAULIC HOSES AND FITTINGS

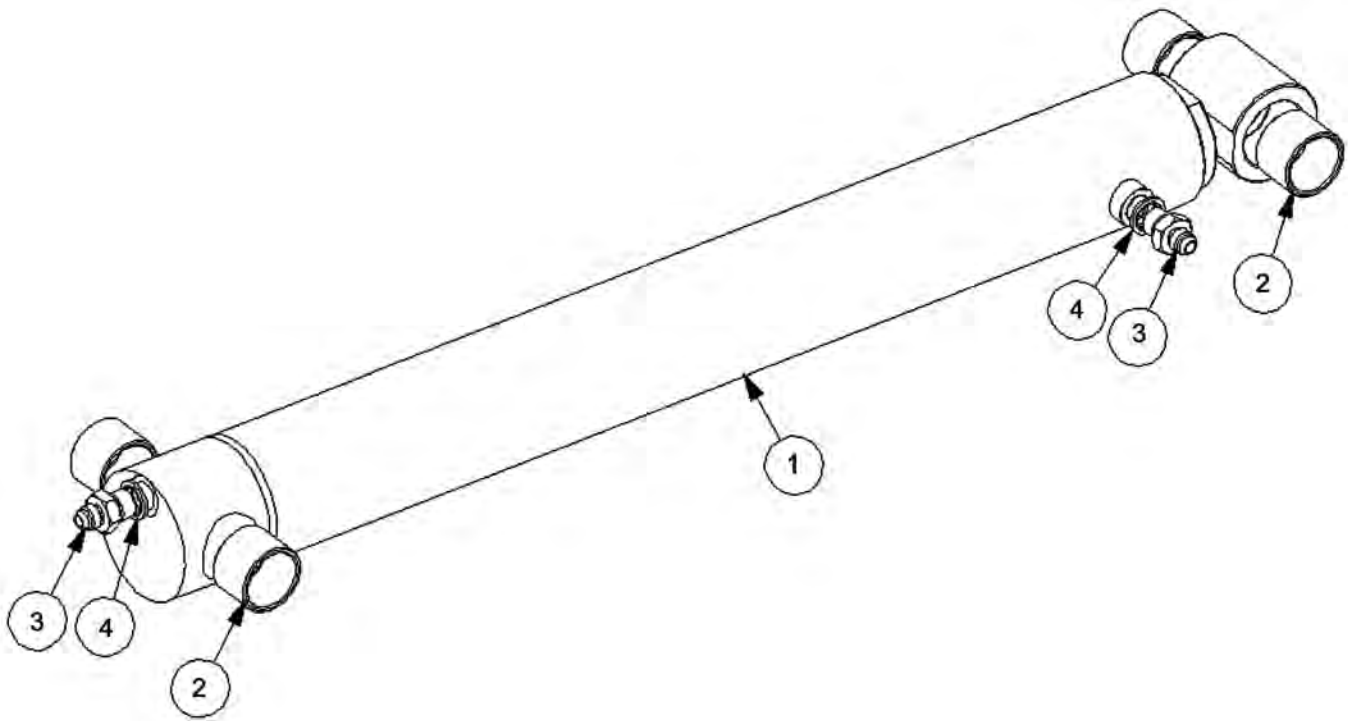
REF. NO.	PART NO.	DESCRIPTION	QTY.
1	45288.10	Hydraulic Cylinder Assy -Slew	1
2	45288.09	Hydraulic Cylinder Assy -Reach	1
3	45895.10	Hydraulic Cylinder Assy - Lift	1
4	43317.10	Hydraulic Cylinder Assy - Angle	1
5	08.955.45	Adapter Mm 1 5/16"-12 Jic	2
6	0904107	Hose Clips 40-55 Mm *Bi*	4
7	22590.19	Hose Sleeving FC425-59 950 Lg	1
8	22590.20	Hose Sleeving FC425-59 1000 Lg	1
9	22591.03	Hose Sleeving FC425-40 150 Lg	1
10	8501470	Bore Suction Hose 1 1/2" - 470 Mm Long	1
11	8581264	Elbow 1" Bsp M-FIn 90 Swept	1
12	05.433.17	Blanking Cap 1 5/16" Jic	2
13	8581233	Swivel Adp. 1bsp-F X1-5/16-M	1
	7135084	Hose Tie 180.0 Lg (Not Shown)	3
	7196045	Hose Tie- 350.0lg (Not Shown)	4

HYDRAULIC CYLINDER - SLEW



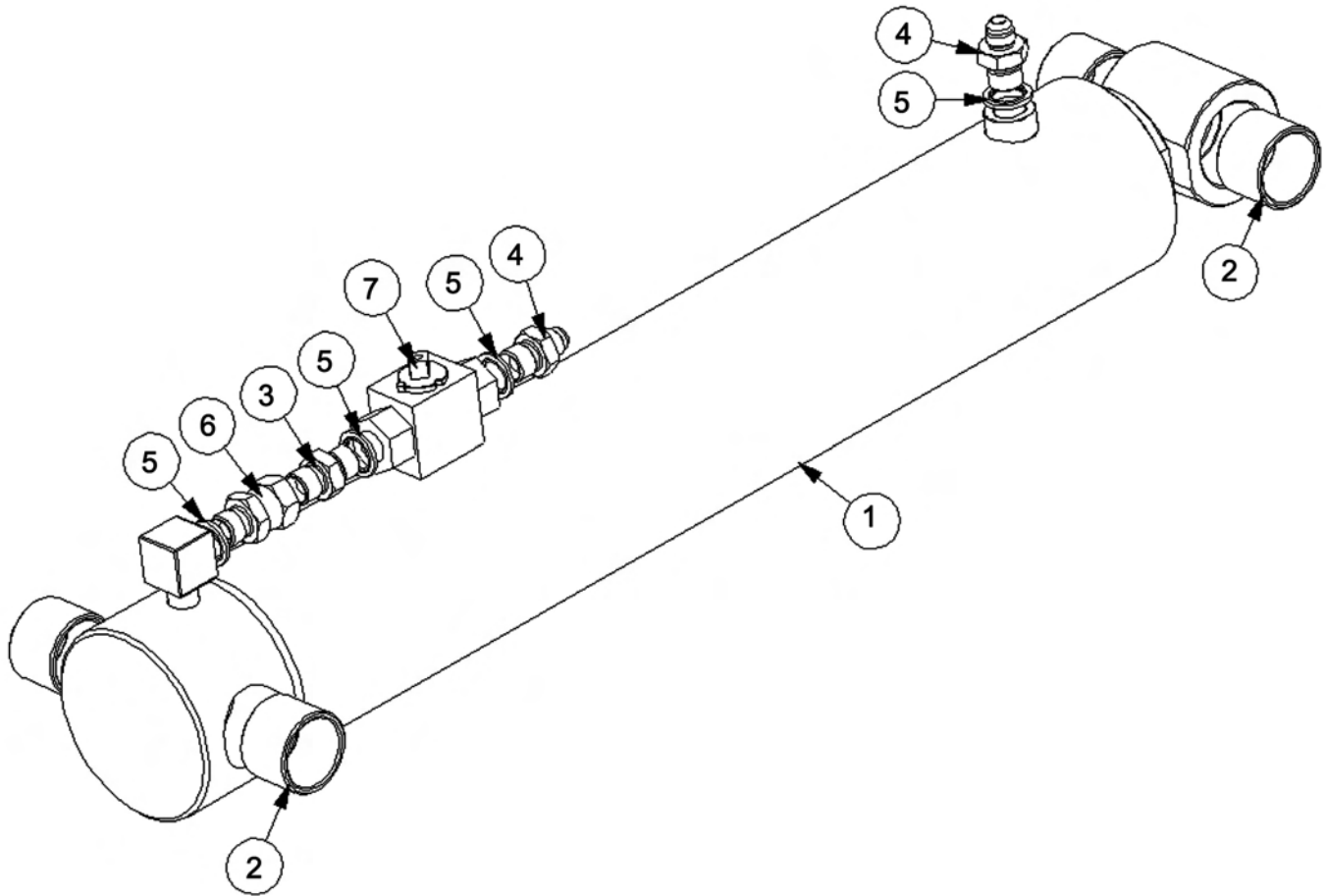
REF. NO.	PART NO.	DESCRIPTION	QTY.
1	45288.05p	Slew Ram Assy-Painted	1
	8699525	Kit, Seal, Slew Ram	1
2	08.297.05	Bushing,Plastic 42 X 35 X 30	4
3	8650103	Seal,3/8bsp Bonded	4
4	08.955.06	Adaptor	1
5	8124121	Restrictor 3/8 Bsp-9/16 Jic	1
6	08.200.01	Valve, Ball	1
7	6000113	3/8 Bsp Double Male	1
8	8581178	Union,Swivel 3/8bsp M-F	1

HYDRAULIC CYLINDER - REACH



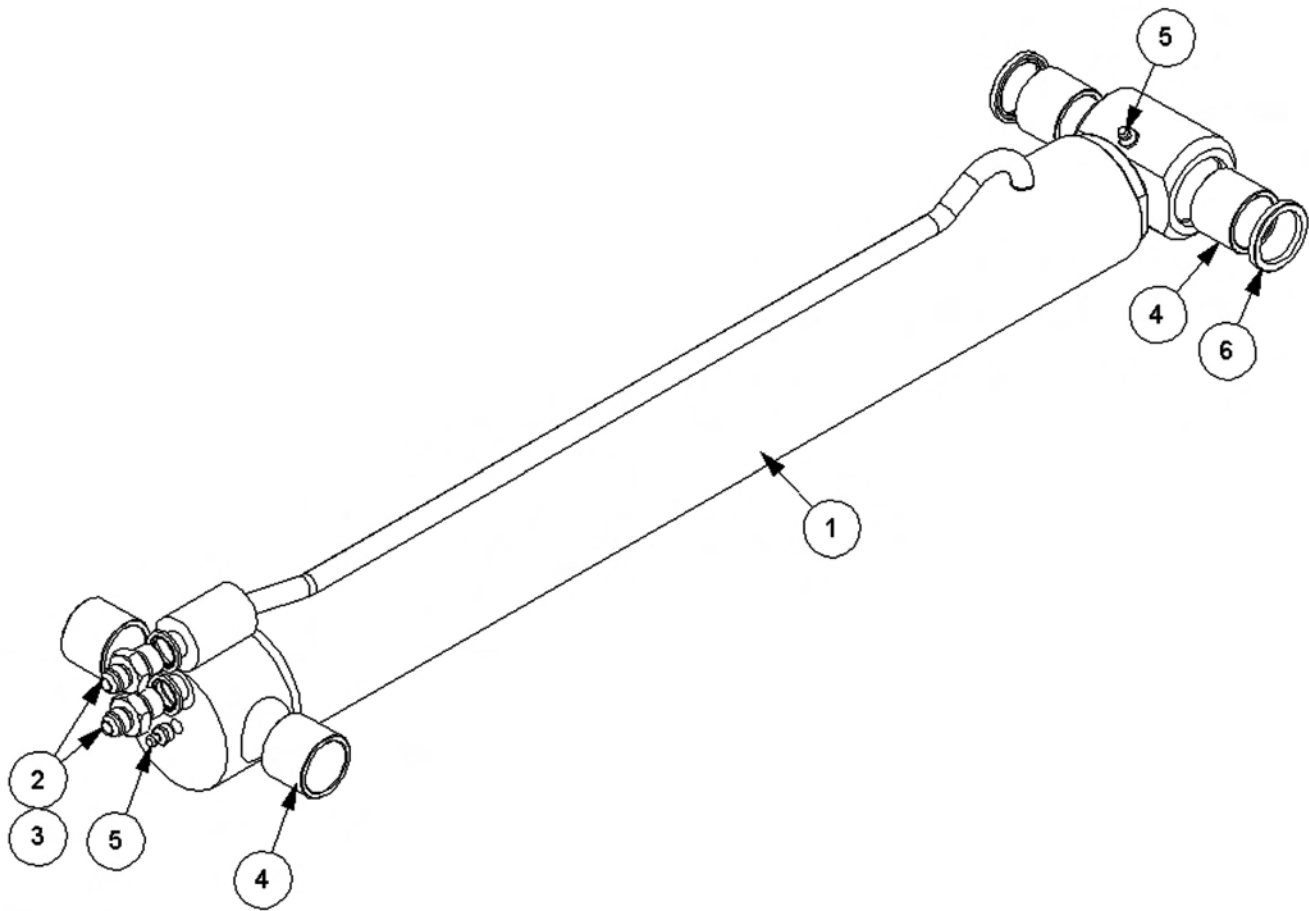
REF. NO.	PART NO.	DESCRIPTION	QTY.
1	45288.04p	Hydraulic Cylinder Assy-Painted	1
	8699258	Kit, Seal	1
2	08.297.05	Bushing, Plastic 42 X 35 X 30	4
3	08.955.06	Adaptor	2
4	8650103	Seal, 3/8 Bsp Bonded	2

HYDRAULIC CYLINDER - LIFT



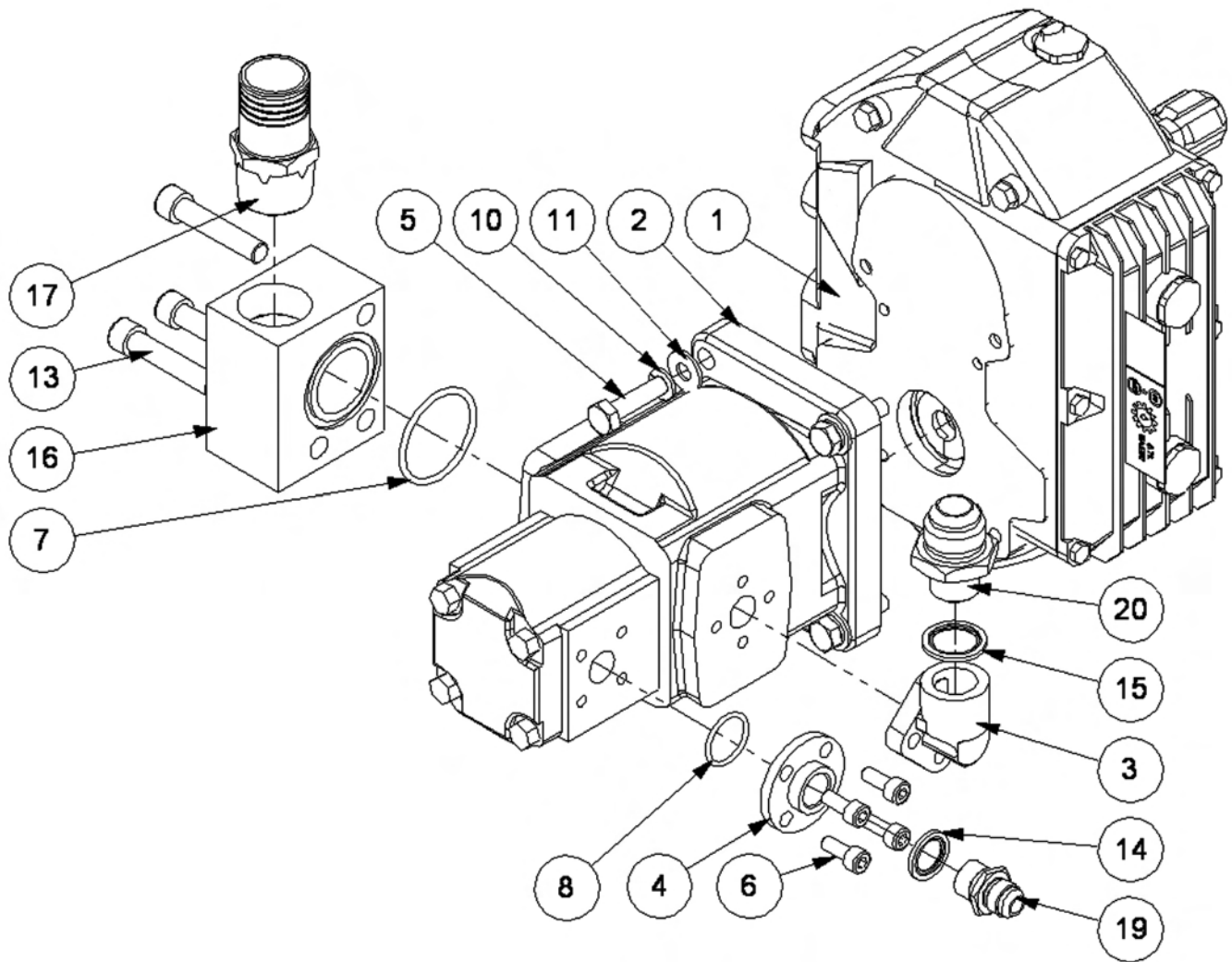
REF. NO.	PART NO.	DESCRIPTION	QTY.
1	45895.04p	Hydraulic Cylinder Assy - Lift	1
	43315.01	Kit, Seal, Lift Cylinder	1
2	08.297.05	Bushing, Plastic 42 X 35 X 30	5
3	6000113	Adapter Double Male 3/8 Bsp	1
4	08.955.06	Adaptor	2
5	8650103	Seal, 3/8 Bsp Bonded	4
6	8581178	Union, Swivel 3/8 Bsp M-F	1
7	08.200.01	Valve, Ball	1

HYDRAULIC CYLINDER - ANGLE



REF. NO.	PART NO.	DESCRIPTION	QTY.
1	43317.02p	Hydraulic Cylinder Assy - Angle	1
	43317.01	Kit, Seal, Angle Ram	1
2	08.955.06	Adaptor	2
3	8650103	Seal, 3/8 bsp Bonded	2
4	08.297.04	Bushing 37 X 30 X 30	4
5	0901121	Grease Nipple, 1/8	2
6	8629218	Seal,Lip 30 X 40 X 4	2

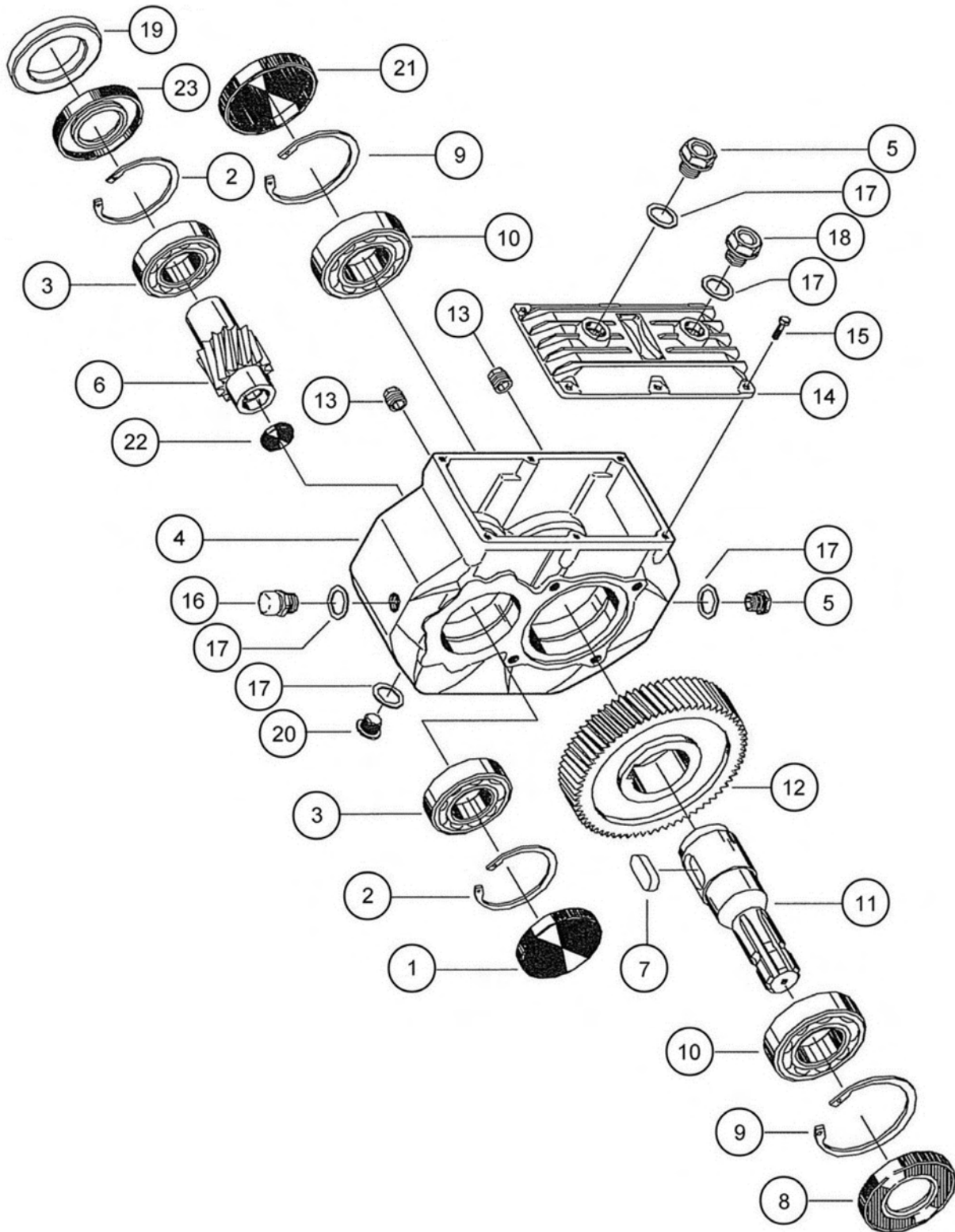
PUMP AND GEARBOX ASSEMBLY



PUMP AND GEARBOX ASSEMBLY

REF. NO.	PART NO.	DESCRIPTION	QTY.
1	21931.01	Gearbox 4.25:1 13t	1
2	8201700	Pump, Tandem Iron	1
3	8005052	Pressure Connection Kit	1
4	42029.01	Flange-Pump Port 1/2" Bsp	1
5	9313085	Capscrew M10 X 40 (Coarse) H.T.	4
6	9300147	Socket Capscrew M8 X 20	4
7	8600304	O-Ring 2 Idx2-1/4 Od	1
8	8600405	O-Ring 1-1/16 Id X 1-1/4 Od	1
9	9100205	Lockwasher - 10mm Dia.	4
10	9100105	Flatwasher, 10.5 X 23.5 X 2.0	4
11	9243126	Capscrew M12 X 60 Skt.	3
12	8650104	Seal, 1/2bsp Bonded	1
13	8650106	Seal, 3/4bsp Bonded	1
14	42142.02	Block Suction Taper	1
15	8581367	Adaptor 1-1/4" Bspt X 1-1/2" L.P	1
16	8120003	Adapter St 3/4 Jic-M X 1/2 Bsp-M	1
17	8581192	Adapter 16 M Jic - 12 M Bspp	1

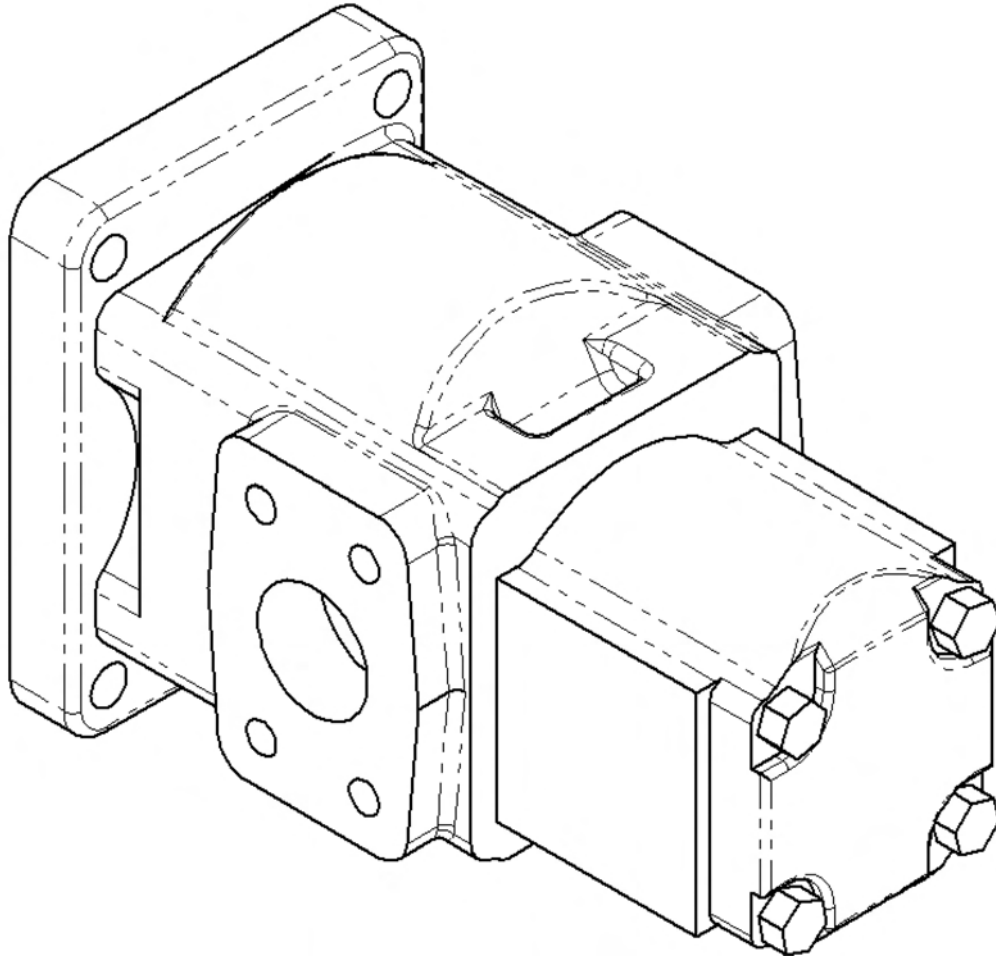
GEARBOX ASSEMBLY - PARTS



GEARBOX ASSEMBLY - PARTS

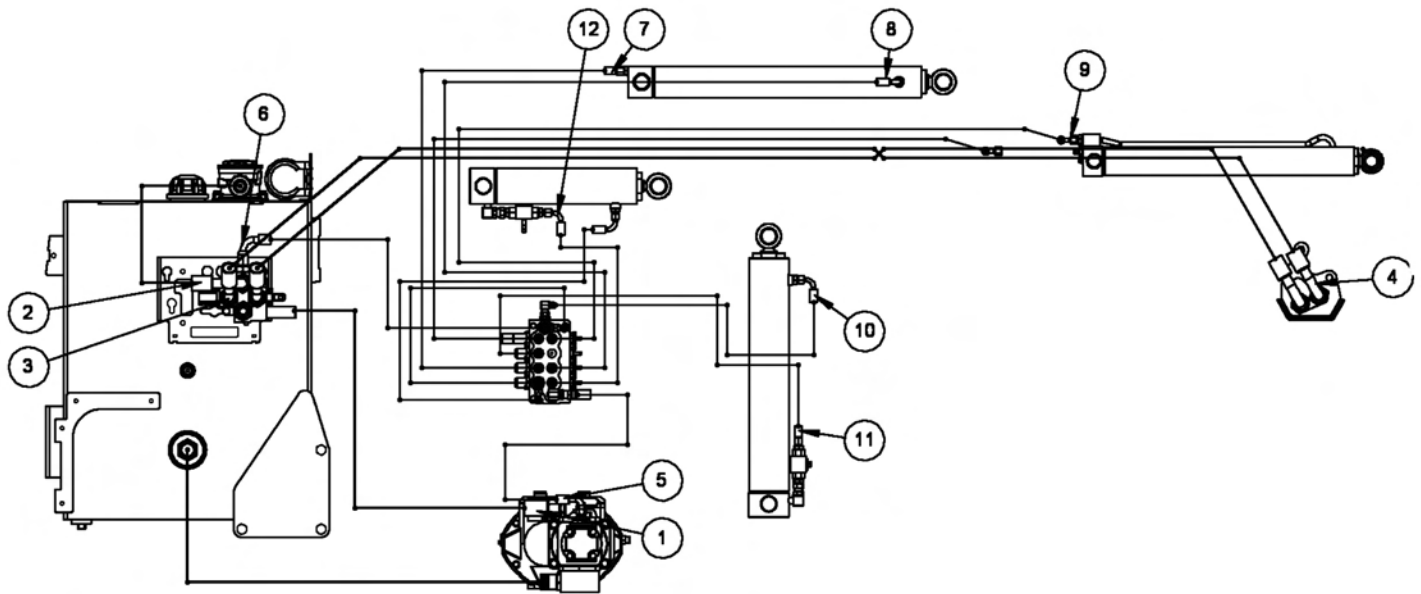
REF. NO.	PART NO.	DESCRIPTION	QTY.
1	8013530	Cap-80mm Dia	1
2	8013529	Internal Circlip 80mm Dia	2
3	8013528	Bearing	2
4	8013585	Gearbox Casting	1
5	8013533	Drain Plug	2
6	8013575	Shaft	1
7	8013586	Driveshaft Key	1
8	8013526	Shaft Seal	1
9	8013525	Internal Circlip 90mm Dia	2
10	8013524	Bearing Larger	2
11	8013522	Input Shaft	1
12	8013587	Primary Gear	1
13	8013534	Level Plug	2
14	8013589	Gearbox Cover	1
15	9313033	Setscrew	6
16	8013590	Breather 1/2" Bsp	1
17	8013591	Sealing Washer	5
18	8013592	Oil Plug	1
19	8013576	Ring	1
20	8013593	Oil Plug	1
21	8013527	Cap-90mm Dia	1
22	8013594	Oil Plug	1
23	8699264	Gearbox Seal	1

PUMP ASSEMBLY



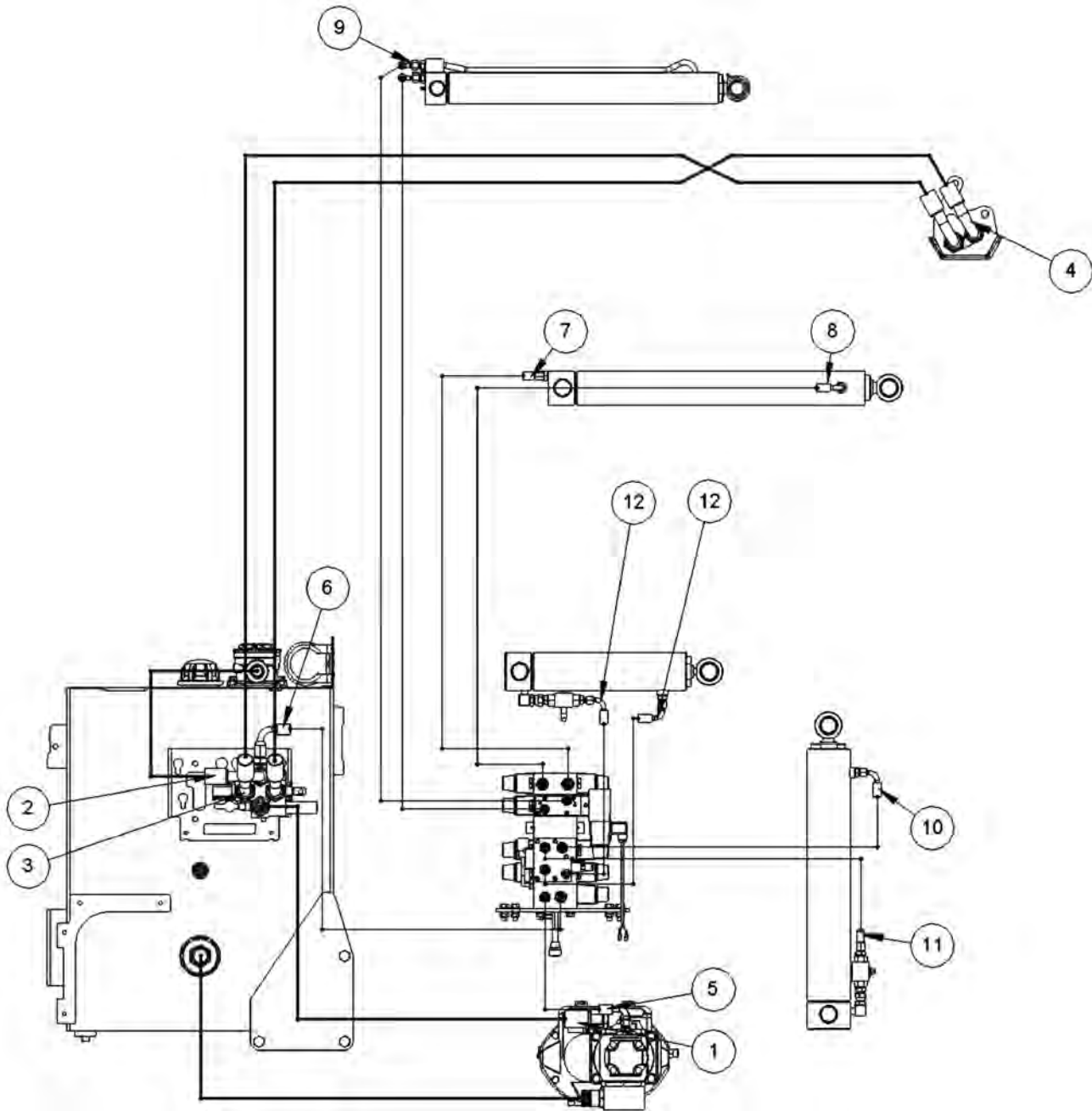
PART NO.	DESCRIPTION	QTY.
8201700	Tandem Pump Assy	1
8201165	Pump (Front Half Of 8201685)	1
8699234	Seal Kit For Pump 8201685	1
8201728	Rear Pump For 8201700 For Unts	1
8201729	Parker Male Male Coupling For	1

HOSE KIT - RMB1865



REF. NO.	PART NO.	DESCRIPTION	QTY.
1	08.961.01	Hose 1bore X 500 Jic 90 xst	1
2	08.961.02	Hose 1 5/16" JIC Fs/F 90 550 mm Lg	1
3	41677.08	Hose 1.5/16" JIC Fs/F 135 1900 Lg Hos	2
4	08.961.48	Hose 1 Bore X 3700mm	2
5	08.958.06	Hose 3/4" JIC Fs/F90 X 400	1
6	41671.11	Hose 7/8" JIC Fs/F90 550 MM Lg	1
7	41721.31	Hose 9/16" JIC Fs/Fs 2100 MM Lg	1
8	08.957.36	Hose 9/16" JIC FS/F90 2800MM Lg	1
9	08.957.55	Hose 9/16" JIC FS/F90 4700MM Lg	2
10	08.957.20	Hose 1/4 Bore X 1200 MM	1
11	41721.22	Hose 9/16" Fs/Fs 1200 Lg	1
12	08.957.16	Hose 9/16" Jic Fs/F90 900 Lg	2

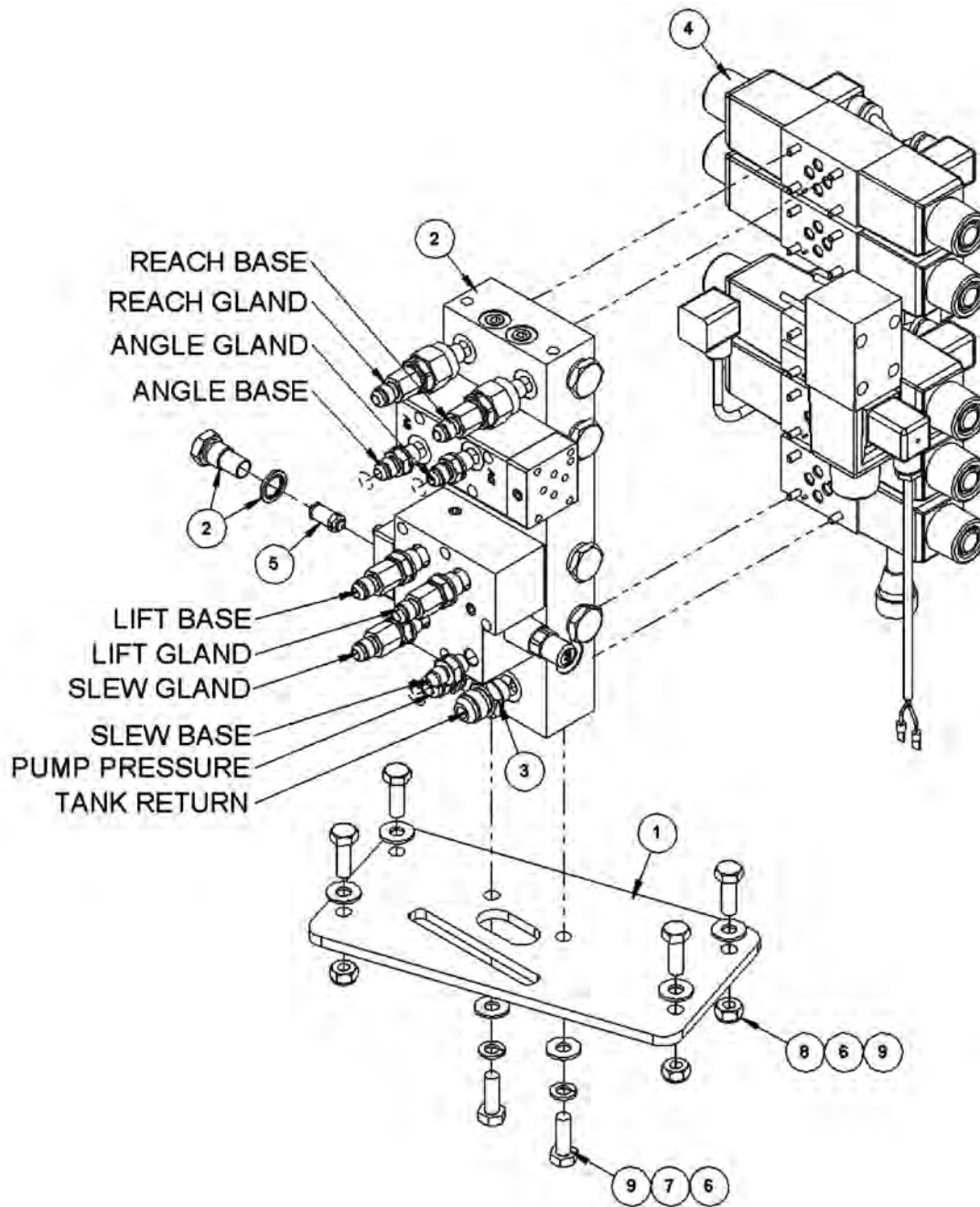
HOSE KIT - RMB1865E



HOSE KIT - RMB1865E

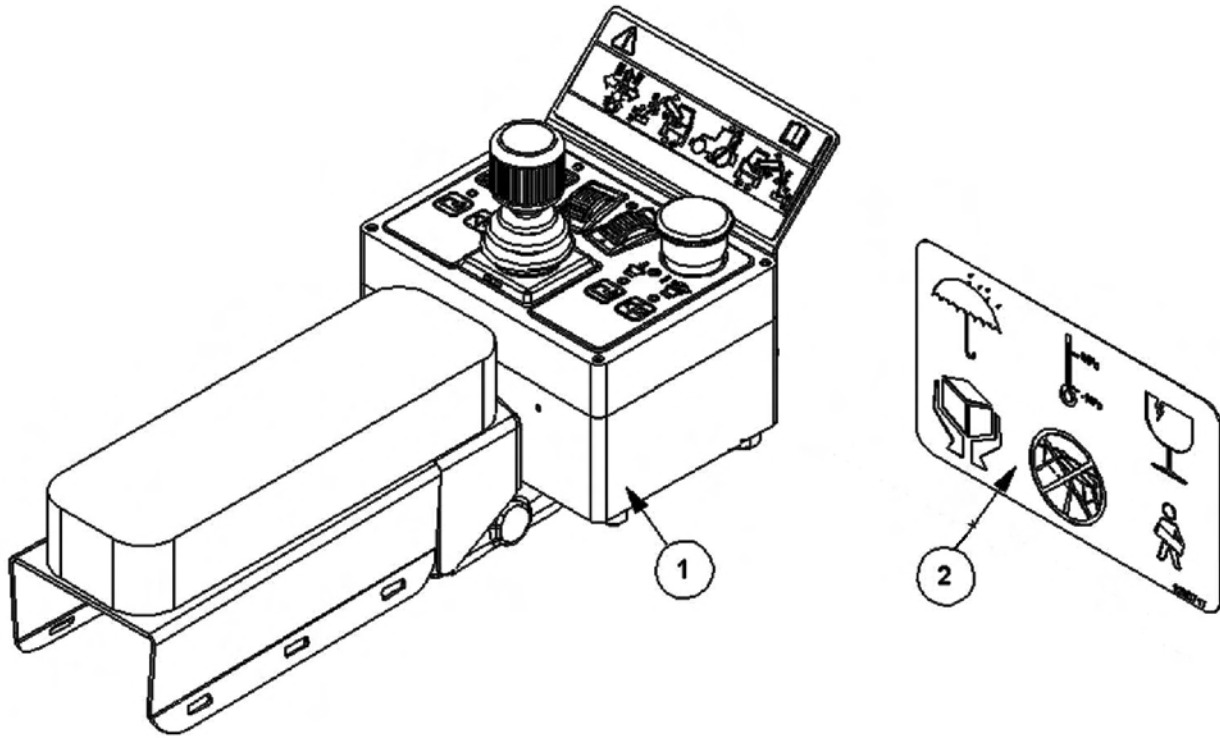
REF. NO.	PART NO.	DESCRIPTION	QTY. REQ'D.
1	08.961.01	Hose,1bore X 500 Jic 90xst	1
2	08.961.02	1 5/16" Jic Fs/F90 550mm Lg	1
3	41677.08	1.5/16" Jic Fs/F135 1900lg Hos	2
4	08.961.48	1 5/16" Jic Fs/F90 3700 Lg	2
5	08.958.08	Hose 3/8 Bore X 500mm	1
6	41671.14	Hose	1
7	41721.29	Hose 9/16" Jic Fs/Fs 1900 Lg	1
8	08.957.34	Hose,1/4bore X 6500 Stx 90 Jic	1
9	08.957.53	Hose	1
10	08.957.18	Hose	1
11	41721.20	Hose	1
12	08.957.12	1/4 Bore Hose	2

VALVE ASSEMBLY - RMB1865E



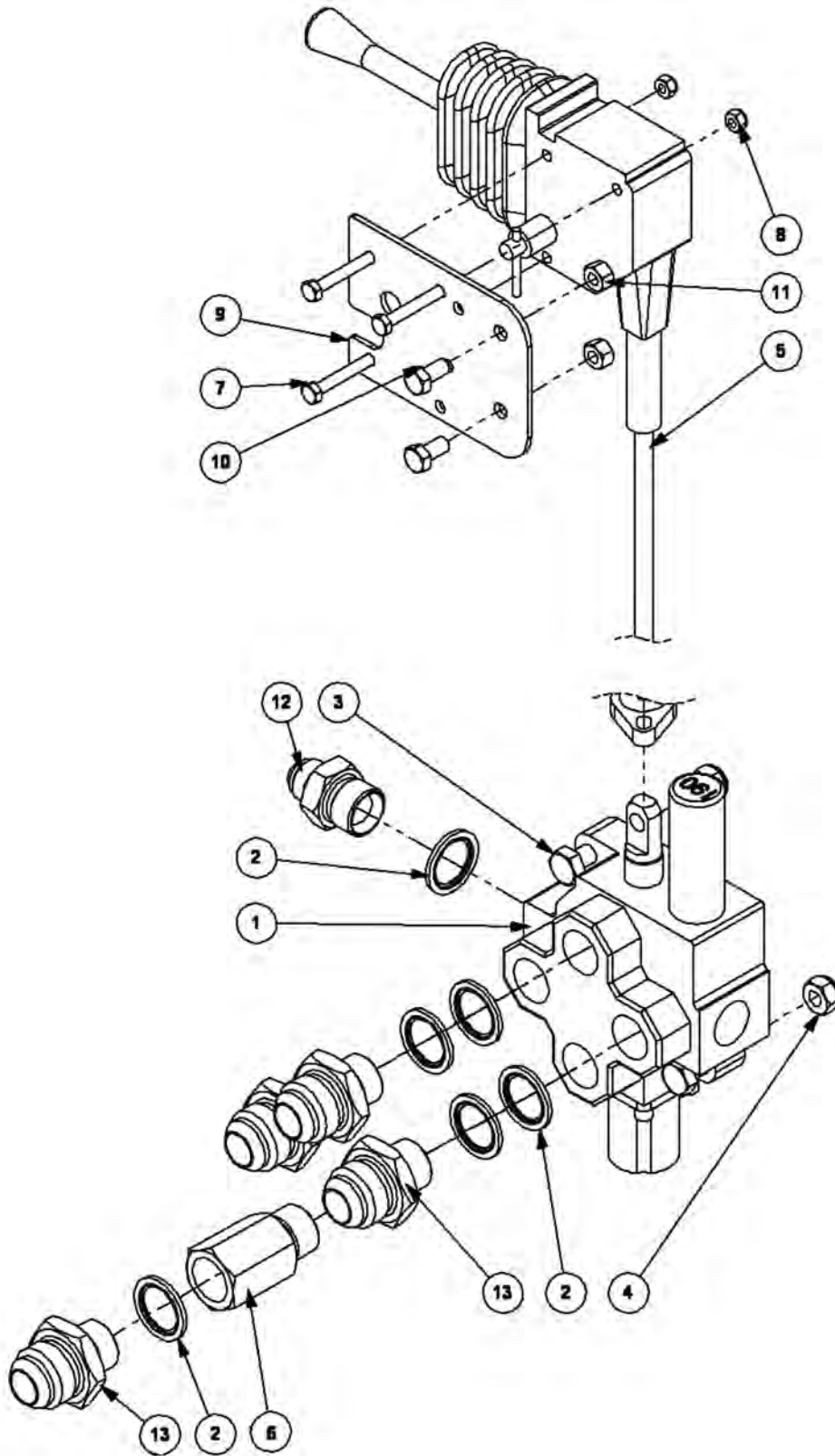
REF. NO.	PART NO.	DESCRIPTION	QTY. REQ'D.
1	22516.01	Valve Mtg Plate	1
2	22523.12	Manifold Assy	1
3	22524.47	Adaptor Kit	1
4	22525.20	Solenoid Kit	1
5	8130092	Valve	1
6	9100105	Flatwasher, 10.5 X 23.5 X 2.0	6
7	9100205	Lockwasher - 10mm Dia.	2
8	9163005	Nyloc Nut M10	4
9	9313065	Capscrew M10 - P1.5 - 30mm	6

SWITCH - RMB1865E



REF. NO.	PART NO.	DESCRIPTION	QTY. REQ'D.
1	22698.13	XTC Control Module	1
2	1290717	Decal	1

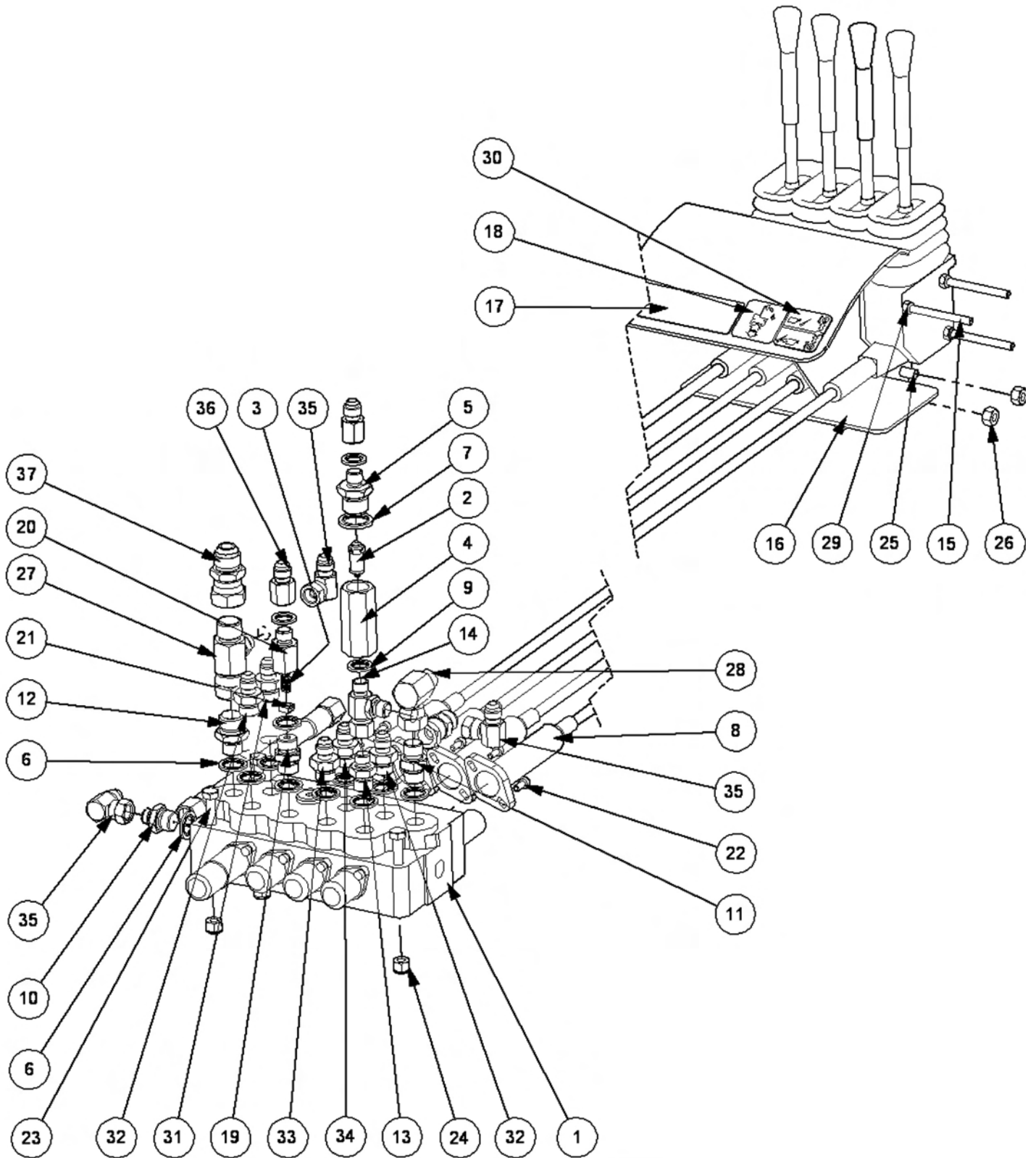
CABLE RCV ASSEMBLY



CABLE RCV ASSEMBLY

REF. NO.	PART NO.	DESCRIPTION	QTY.
1	8125356	Valve,Rotor Control (190 Bar)	1
2	8650106	Seal,3/4bsp Bonded	6
3	9213085	Capscrew M 10-P1.5 - 40mm PI	2
4	9163005	Nut M10 Nyloc	2
5	8017052	Control Hd/Cable Assy-3.5m	1
6	8581224	Extension Adapter 3/4"Bsp M-F	1
7	9213113	Capscrew M6 X 55 (Coarse) H.T.	3
8	9163003	Nut M6 Nyloc	3
9	7650282	Control Cable Brkt	1
10	9313034	Capscrew M 8-P1.25 X 16mm	2
11	9113004	Nut 8mm-P1.25 PI	2
12	8581271	Adapter 3/4 M Bsp-7/8 M Jic	1
13	8581192	Adapter 16 M Jic - 12 M Bsp	4

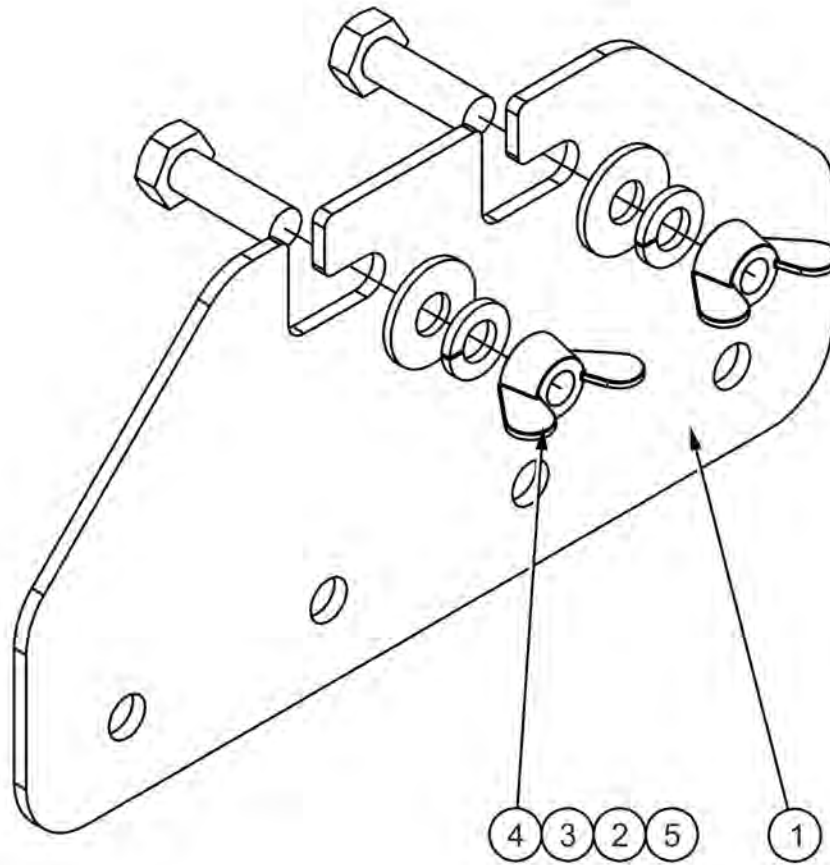
CABLE ACV



CABLE ACV

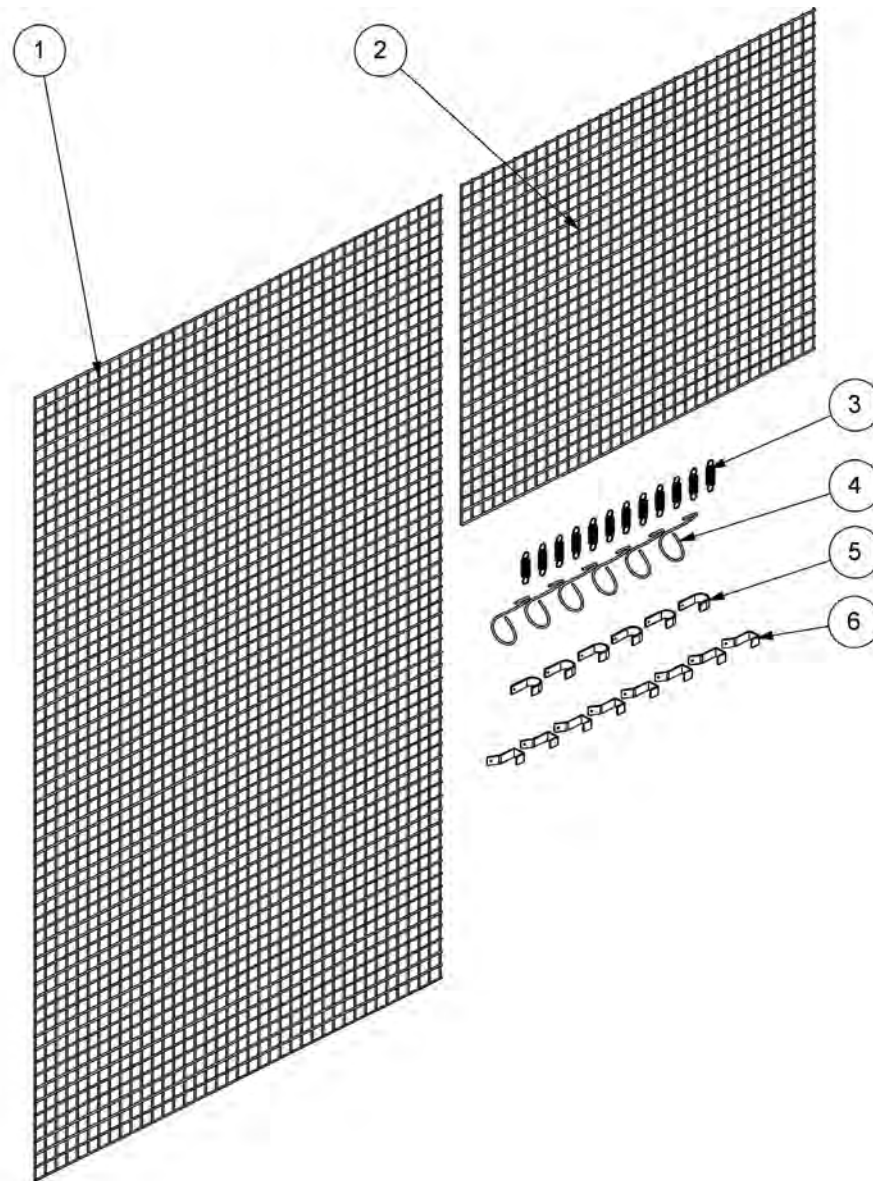
REF. NO.	PART NO.	DESCRIPTION	QTY.
1	8130466	Control Valve 4 Spool	1
2	8130124	Relief Valve Cartridge	1
3	8116011	Spring .275x23 Swgx5/8 Lg	2
4	8130156	Relief Valve Housing	1
5	8130083	Body, Relief Valve	1
6	8650103	Seal, 3/8 Bsp Bonded	11
7	8650104	Seal, 1/2 Bsp Bonded	1
8	8017050	Control Hd/Cable Assy-3.5m	4
9	8650102	Seal, 1/4 Bsp Bonded	3
10	8130067	Restrictor 1/4-3/8 Bsp	1
11	6000113	Adaptor 3/8 Bsp M/M	1
12	05.123.01	Adaptor 1/2 X 3/8 Bsp M/M	1
13	8581115	Adaptor, 1/4 X 3/8 Bsp Male	1
14	8581254	Tee Adaptor 1/4 Bsp M-F-M	1
15	04.282.71	Stud M6 X 233 Plated	3
16	7650307	Arm Rest Brkt W/A	1
17	1290368	Decal, Control	1
18	1290541	Decal-Slew Sma1046	1
19	8581209	Union 3/8 Bspm X 3/8 Bspm	1
20	8581214	Restrictor Adaptor 1/4" Bsp	1
21	8123044	Restrictor Disc, 1.8mm Orifice	1
22	9343022	Shcs Metric 5-P0.8 - 12mm P19	8
23	9213134	Bolt	3
24	9163004	Nut Nyloc M8	3
25	9313034	Capscrew M 8-P1.25- 16mm	2
26	9113004	Nut 8mm-P1.25 PI	2
27	04.056.25	Tee 1/2 - 1/2 - 1/4 Fmm	1
28	8581117	Connector,3/8 Bsp 90deg.	1
29	9163003	Nut M6 Nyloc	6
30	1290338	Decal,Rotor Control Valve	1
31	8124120	Restrictor 3/8bsp-9/16jic	1
32	8124121	Restrictor 3/8 Bsp-9/16 Jic	2
33	8124118	Restrictor 3/8bsp-9/16jic	1
34	8124125	Restrictor 3/8" Bsp-9/16 Jic	1
35	05.835.11	Adaptor,Swivel 90-1/4 X 9/16 Jic	3
36	8581341	Adaptor 1/4 Bspfx 9/16 Jicm	2
37	8581220	Adaptor 1/2 Bspf-7/8jic M	1

CAB CONTROL MOUNT



REF. NO.	PART NO.	DESCRIPTION	QTY.
1	42491.01	Mount Plate	1
2	9100104	Flatwasher 8mm	2
3	9100204	Lockwasher 8mm	2
4	9193004	Wing Nut	2
5	9313054	Capscrew M8 x 25	2

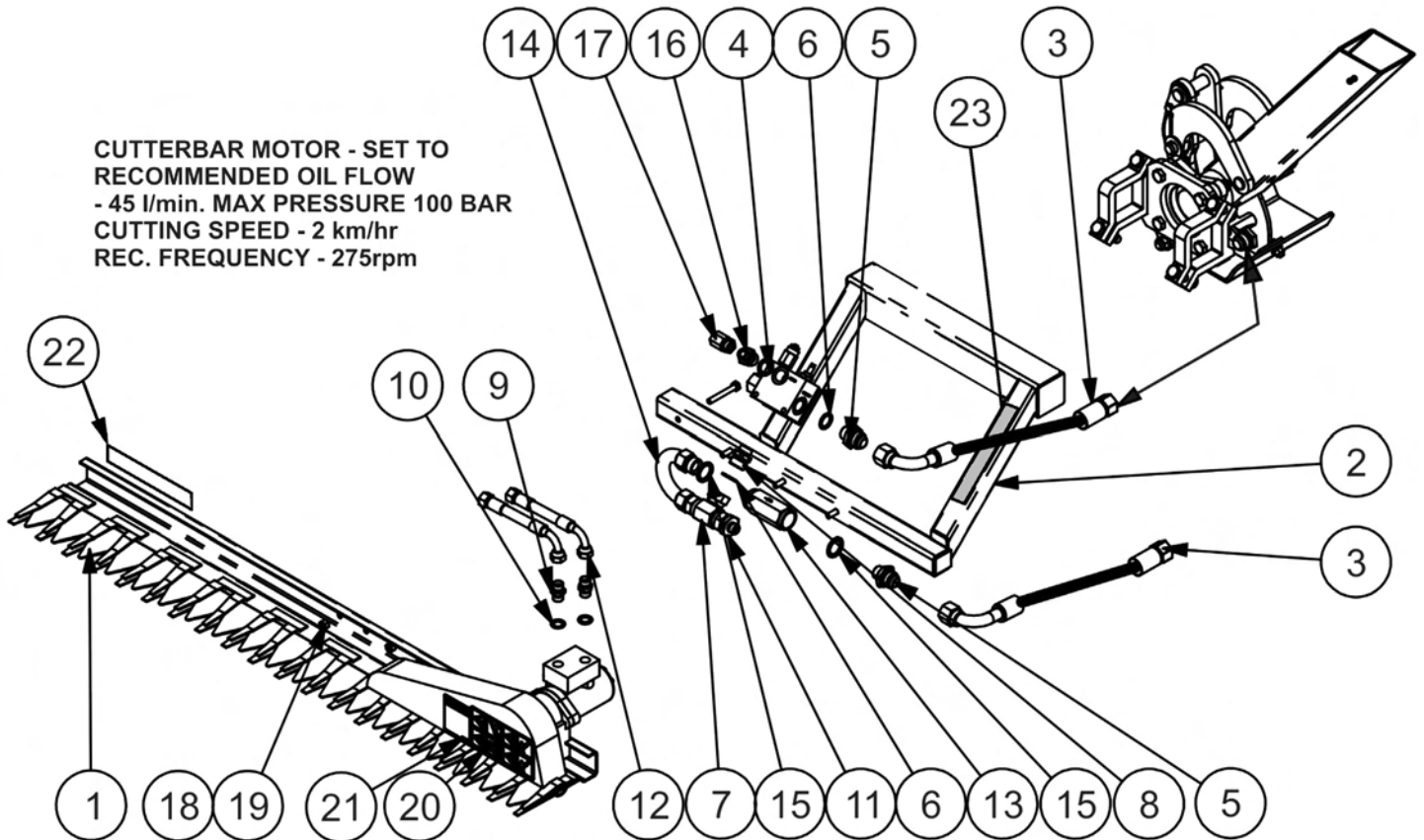
GUARD KIT



REF. NO.	PART NO.	DESCRIPTION	QTY.
1	7313049	Guard Panel, Large Self Color	1
2	7313050	Guard Panel, Small- Self Color	1
3	6001064	Guard Spring	2
4	6001065	Guard Hook	6
5	41587.01	Guard Hook	6
6	41745.01	Hook,Plastic	8

SHEARTRIM SICKLEBAR (59" WIDE)

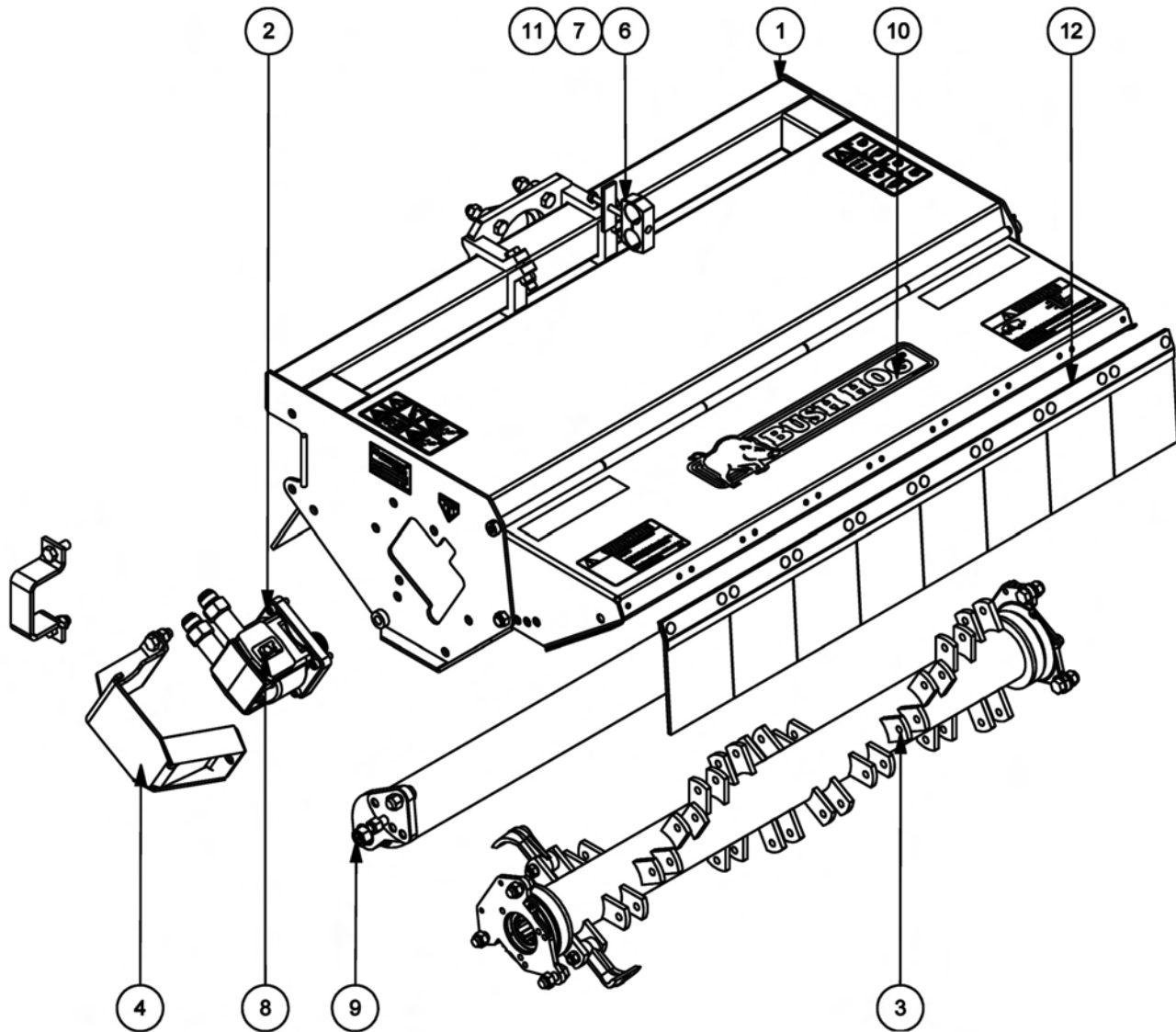
CUTTERBAR MOTOR - SET TO
RECOMMENDED OIL FLOW
- 45 l/min. MAX PRESSURE 100 BAR
CUTTING SPEED - 2 km/hr
REC. FREQUENCY - 275rpm



SHEARTRIM SICKLEBAR (59" WIDE)

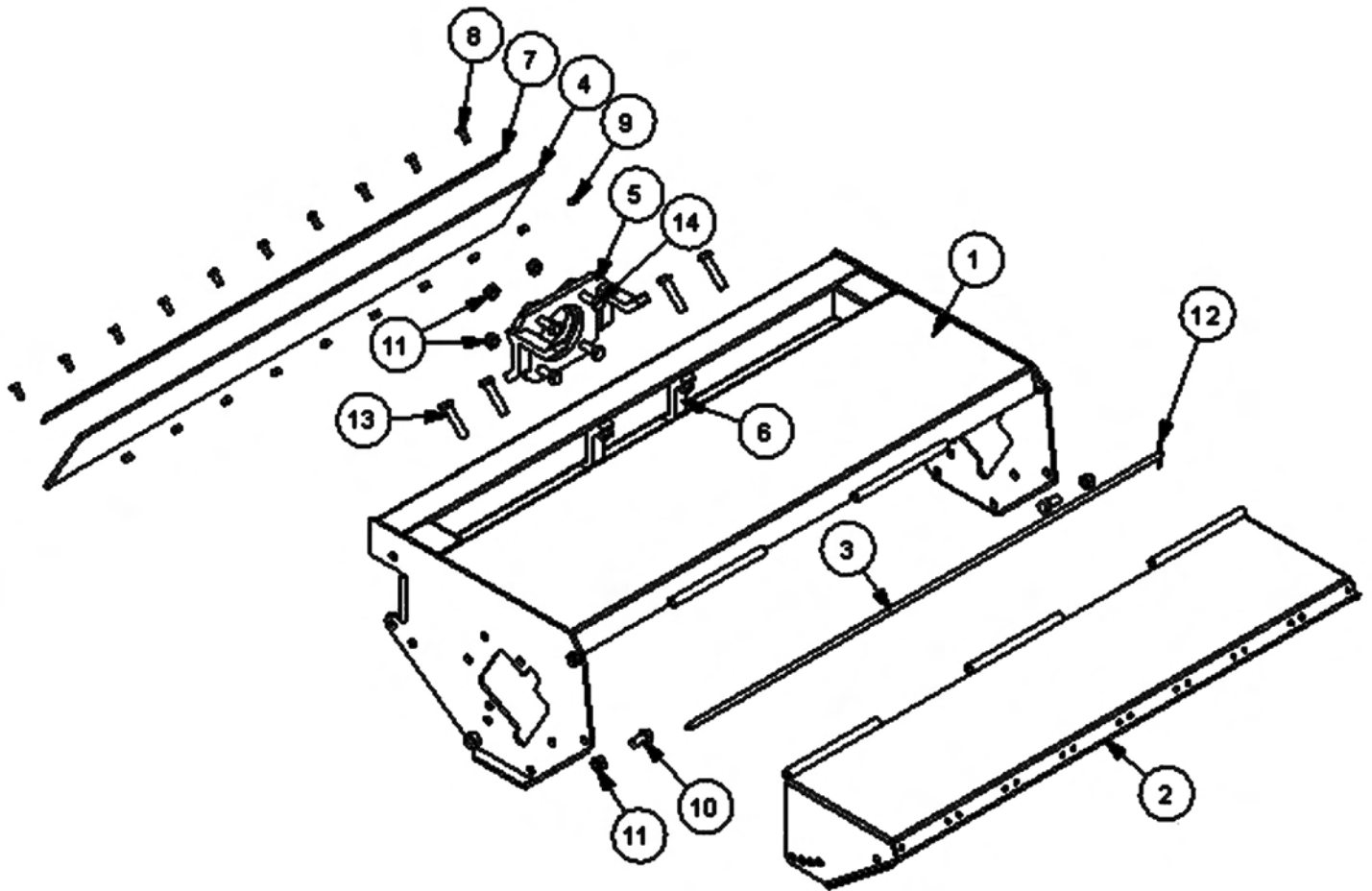
REF. NO.	PART NO.	DESCRIPTION	QTY.
1	42018.05	Cutter Bar	1
2	42019.12	Cutterbar Brkt 80 Box Rh	1
3	08.961.02	1 5/16"Jic Fs/F90 550mm Lg	2
4	42844.01	Flow Control Valve	1
5	8581192	Adp Hyd Stght 16mj - 12mbsp	2
6	8650106	Seal, 3/4 bsp Bonded	3
7	T7560	Adaptor Tee 1"Bsp Fff	1
8	8002086	Adaptor 3/4" X 1" Bsp Mm	1
9	8581110	Male Union, 1/2 X 1/2 Bsp	2
10	8650104	Seal,1/2bsp Bonded	2
11	8581129	Adaptor 1"Bsp X 1/2" Bsp Mm	1
12	10.006.10	Hose 1/2bsp Stx90 S.Seal 500	2
13	06.282.03	Check Valve 1"Bsp Ff	1
14	46043.05	W/Assy-180 Deg Elbow	1
15	8650108	1bsp Bonded Seal	2
16	8581130	Adaptor 3/4 Bsp X 1/2 Bsp	1
17	G5200331	Adaptor-1/2"Bsp Mf Elbow Short	1
18	9213155	Capscrew M10 X 75	4
19	9143005	Use 00765676	4
20	09.821.35	Combined Decal	1
21	3688303	Decal, Danger Severed Fingers	1
22	1458392	Decal, Red Reflector	1
23	1458393	Decal, Yellow Reflector	1

FLAILHEAD - SUPERCUT (47" WIDE)



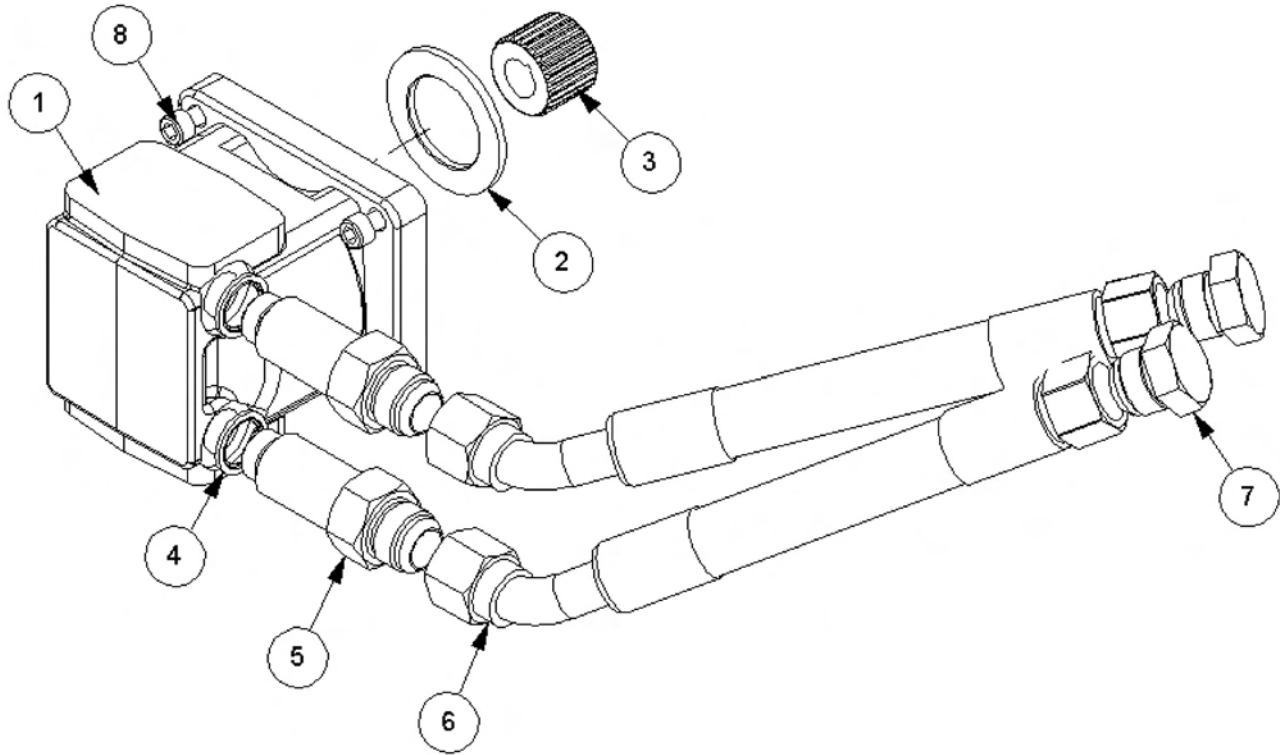
REF. NO.	PART NO.	DESCRIPTION	QTY.
1	22494.11	1.2m Supercut Casing Module	1
2	22495.21	100rpm Drive Module 54hp 1.2m	1
3	22497.33	1.2m Rotor Assy S-Cut F91 Comp	1
4	22496.08	1.2m S/Cut Motor Cover Module	1
5	7193063	Pipe Clamp 91 Pair 0.38" Dia.	1
6	9213155	Capscrew M10 X 75	1
7	21917.02	Head Decal	1
8	22808.01	Roller Assy-1.2m Supercut	1
9	21978.10	Head Decal Kit Multicut	1
10	06.418.05	Clamp Plate - Pipe Clamp	1
11	50068703	Flap Kit, Front	1

CASING - SUPER-CUT FLAILHEAD



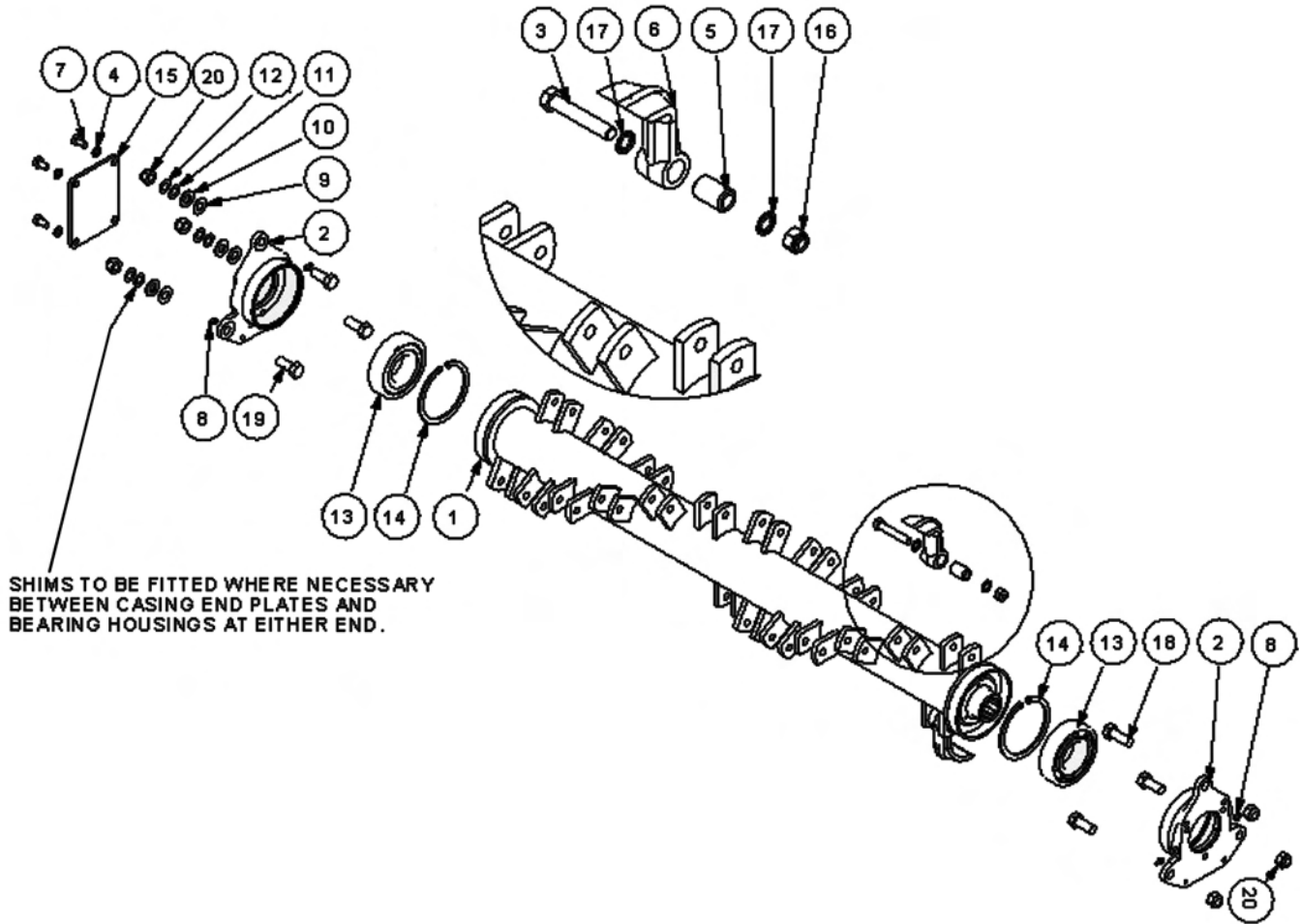
REF. NO.	PART NO.	DESCRIPTION	QTY.
1	7198327	Casing - 1.2m Supercut	1
2	7191352	Front Hood	1
3	7191116	Hood Pivot Pin	1
4	7191361	Flap,Rear	1
5	7198330	Clamp Plate	1
6	7198332	Clamp	2
7	7191362	Clamp Strip-Rear Flap	1
8	9313055	Hexb Metric 10-P1.50- 25mm 5	10
9	00765676	Nut, M10 - 1.5	10
10	0311106	Set Screw Hex Head 5/8 UNF 1-1/4 HT	2
11	00749136	Locknut 5/6-Nf Toplock	10
12	0425540	Roll Pin M5 X 40	1
13	0211226	Capscrew 5/8 In X 2 3/4 In Unf	4
14	0211246	Capscrew 5/8 In X 3 In Unf	4

100 LPM DRIVE MODULE - SUPERCUT AND MULTICUT



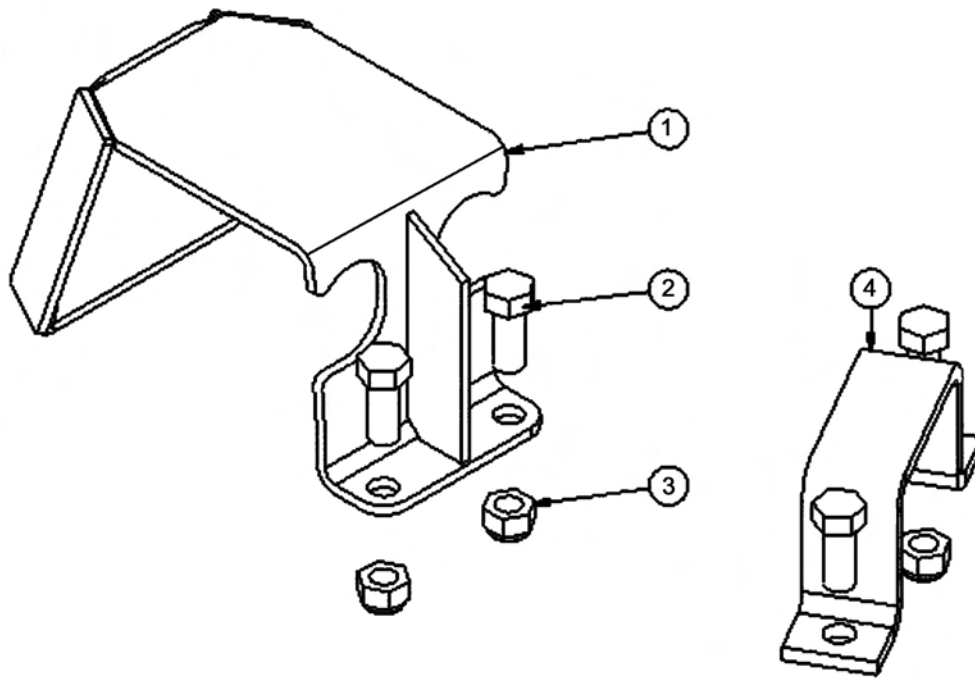
REF. NO.	PART NO.	DESCRIPTION	QTY.
1	8301302	Motor	1
2	7190015	Motor Locating Washer	1
3	7190584	Coupling 27 Spline	1
4	8650106	Seal,3/4bsp Bonded	2
5	8581567	Adaptor 3/4 X 1.5/16" Jic Mm	2
6	41677.08	Hydraulic Hose 1.5/16" Jic Fs/F135 1900lg	2
7	05.433.14	Plug 1.5/16" JIC	2
8	9300144	Capscrew,Wedglok	4

ROTOR MODULE - SUPERCUT



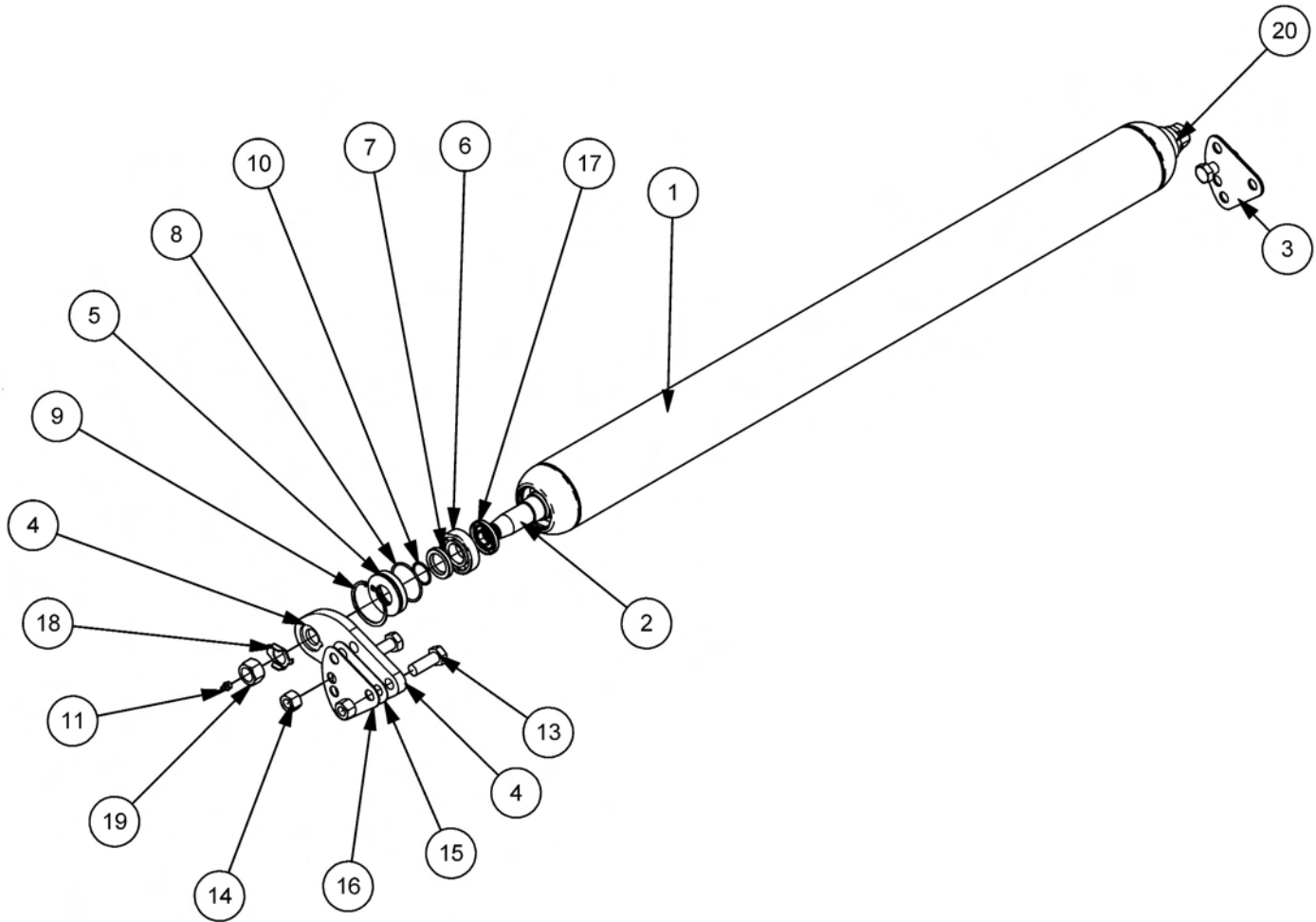
REF. NO.	PART NO.	DESCRIPTION	QTY.
1	7191382	Weldmt, Rotor 1.2m W/A 12 Row	1
2	7190261	Housing Bearing	2
3	7191109	Flail Bolt	24
4	9100205	Washer, Spring- 10mm Dia. Bzp	4
5	7191054	Spacer, Cast Flail	24
6	7198390	Single Edge Flail Knife	24
7	9313045	Capscrew M10-P1.5 - 20mm 5	4
8	0901125	Grease Fitting 1/8	4
9	7191098	Shim, 1.5 Thick	3
10	7191099	Shim, 2.5 Thick	3
11	8121043	Spacer, Thin- Ref. 96-033	5
12	8121044	Spacer Thick	5
13	0600018	Bearing 55x120x29mm 1r.15	2
14	7190022	120 Internal Circlip D1300-12	2
15	7190444	Plate,Cover	1
16	02716500	Locknut, Toplock 1/2" - 20	24
17	0100305	Washer, Serrated Int.1/2 Dia.	48
18	0311146	Hhss 5/8UNF 1-3/4ht	1
19	0311126	Hhss 5/8UNF X 1-1/2grs	5
20	00749136	Locknut, Toplock 5/8" UNF	6

MOTOR COVER 1.2M SUPERCUT



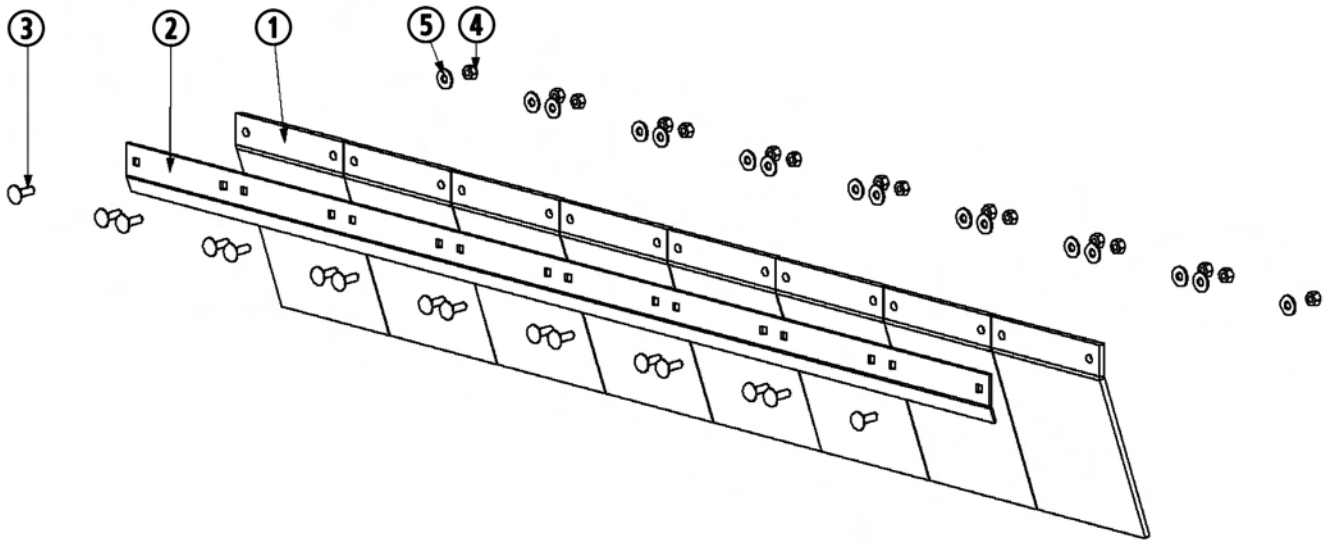
REF. NO.	PART NO.	DESCRIPTION	QTY.
1	7191393	Motor Cover	1
2	0311126	Capscrew 5/8" X 1/2" Unf	4
3	00749136	Locknut, Toplock 5/8" Unf	3
4	41740.01	Hose Retainer	1

ROLLER 1.2 SUPERCUT



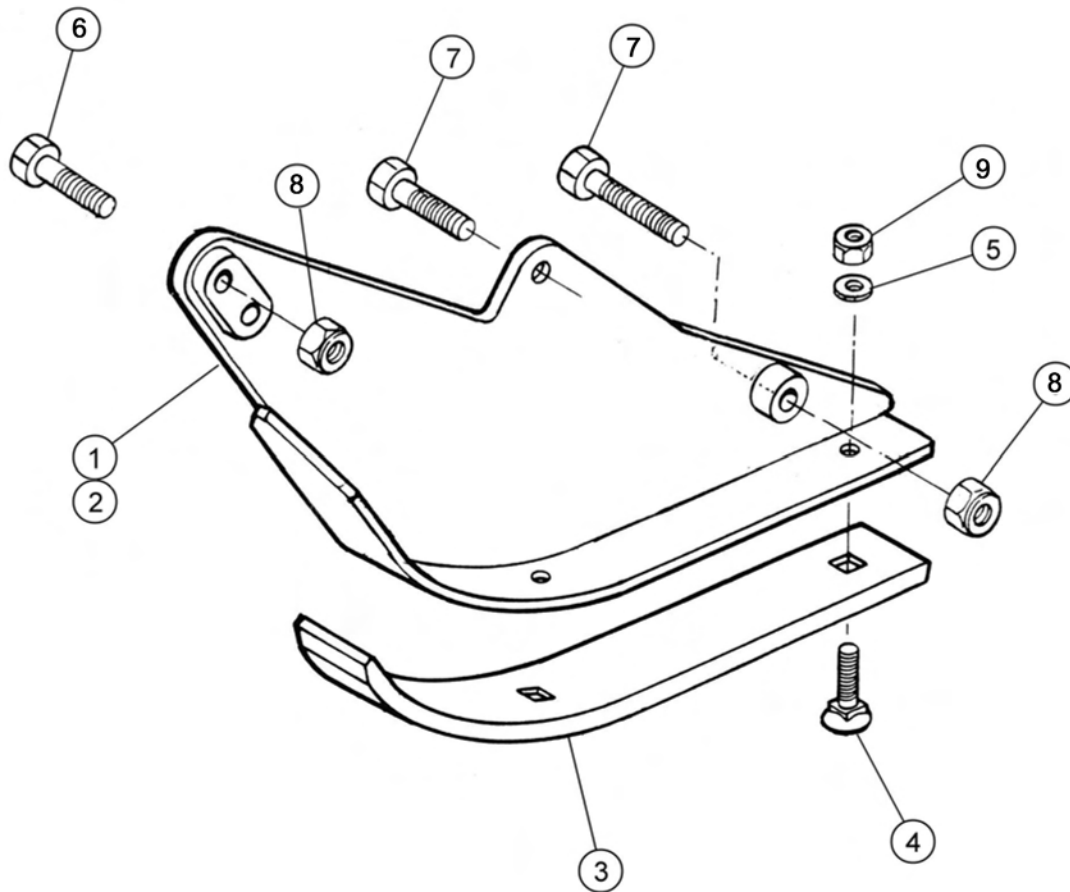
REF. NO.	PART NO.	DESCRIPTION	QTY.
1	22808.02	Roller Tube	1
2	22808.05	Roller Shaft	1
3	22808.03	Roller Bracket Lh	1
4	22808.04	Roller Bracket Rh	1
5	22808.06	Seal Carrier	2
6	0600111	Deep Groove Ball Brg 30x62x17	2
7	8629215	Seal	2
8	8600422	O Ring 200-138-4490	2
9	0411262	Internal Circlip 62mm Dia	2
10	0412120	1-1/4 Internal Spirolox Ring	2
11	0901121	Grease Nipple, 1/8 Straight	2
12	9213117	Bolt M16 X 55	2
13	9313097	M16 X 45 Coarse H.T.	2
14	9143007	Top Lock Nut 16mm-P2.0 Zp	4
15	42257.03	Shim-1.2mm	2
16	42257.04	Shim - 2.0mm	2
17	8629181	Seal, Rotary Shaft Dia 35	2
18	21395.03	Tab Washer-M24 Special	2
19	9100035	Nut M24 Lh Plated 30af	1
20	9100036	Nut M24 Rh Plated 30af	1

FRONT FLAP KIT, SUPERCUT AND MULTICUT



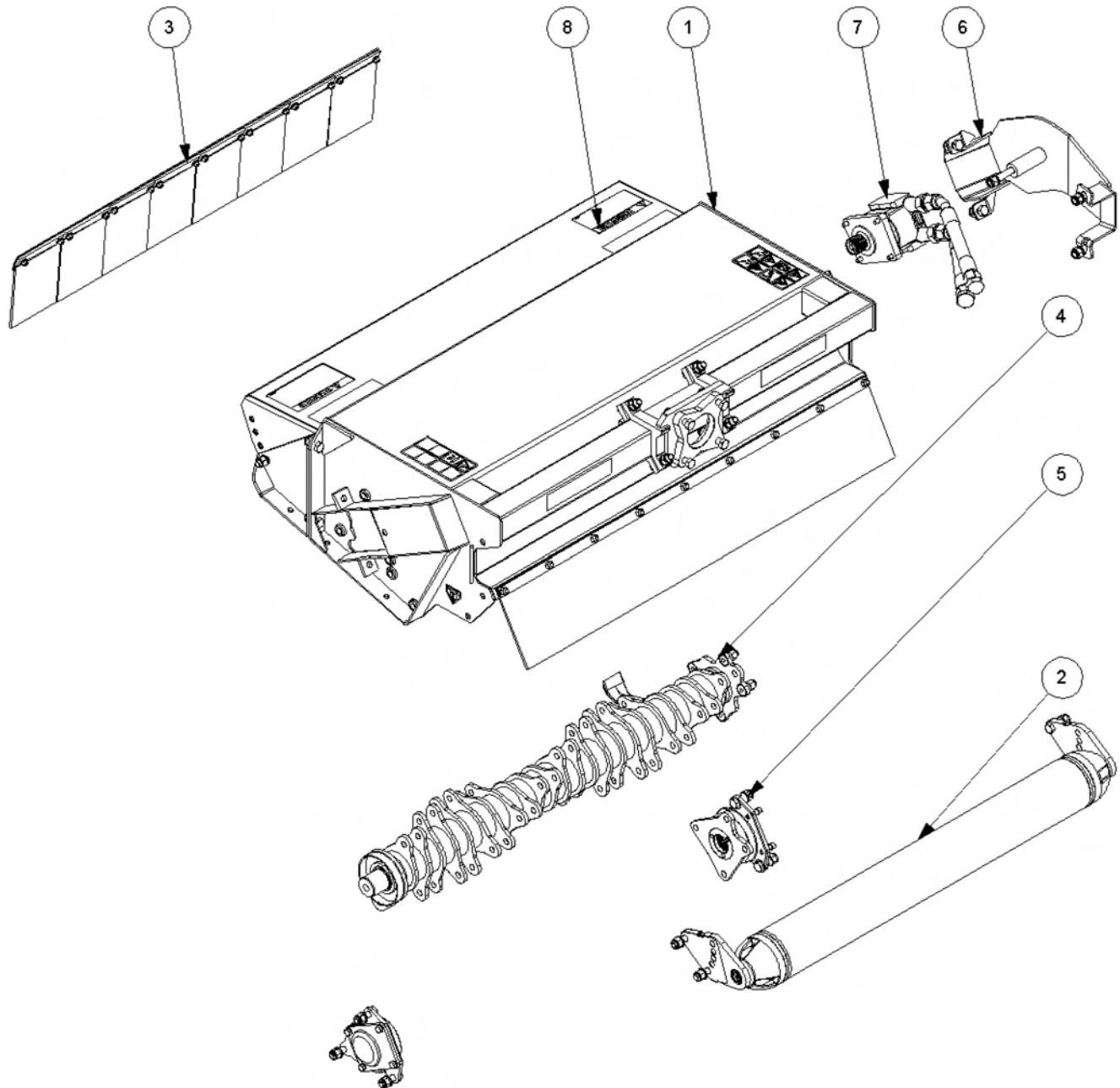
REF. NO.	PART NO.	DESCRIPTION	QTY.
1	7290053	Front Flap	8
2	7190304	Frontflap Strip	1
3	9293054	Carriage Bolt M8 X 25 (Plated)	16
4	70093C	Locknut, Toplock M8 x P1.25	16
5	9100104	Flatwasher M8	16

SKID KIT, SUPERCUT



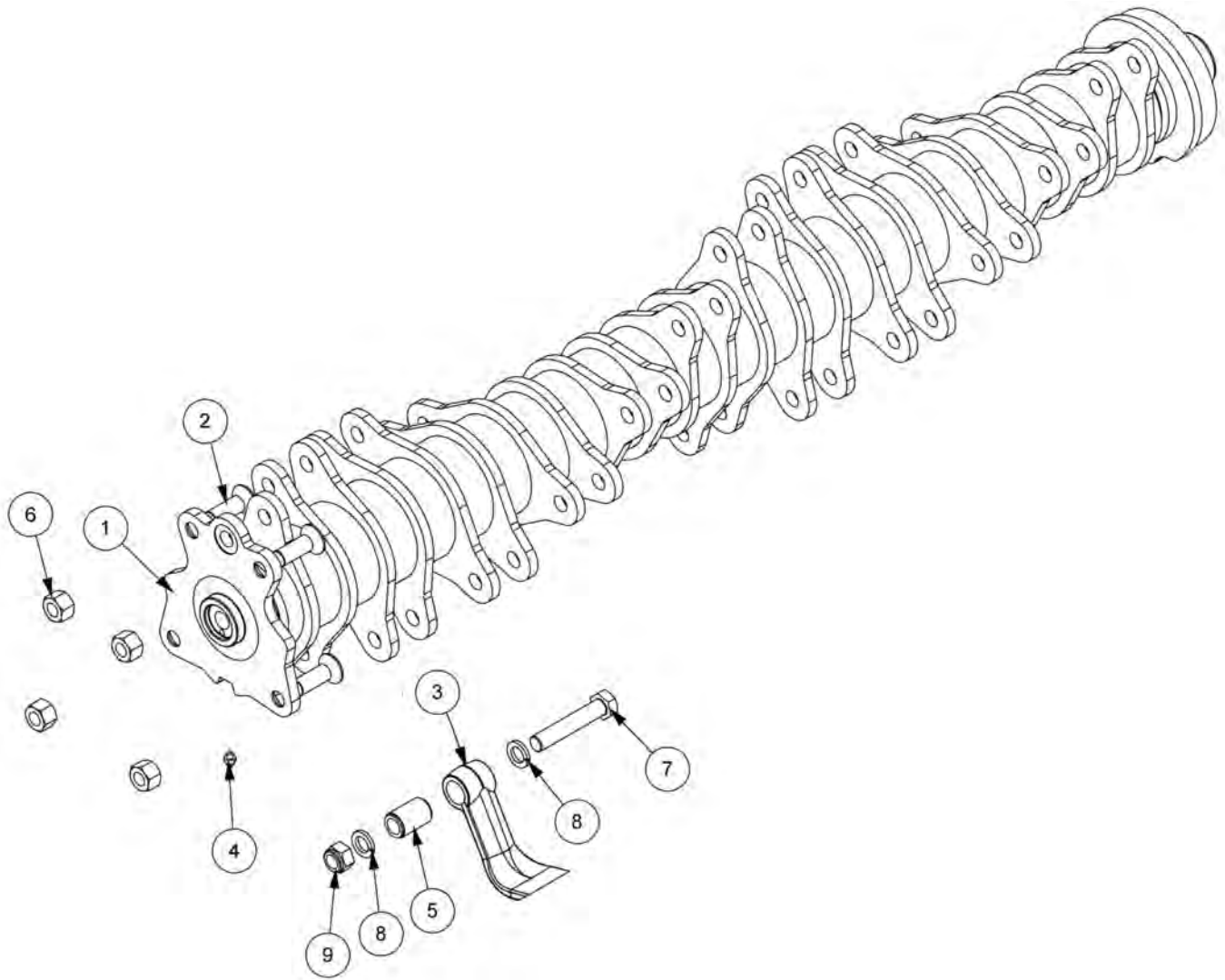
REF. NO.	PART NO.	DESCRIPTION	QTY.
1	7198368	Skid W/Assy-Left Hand	1
2	7198369	Skid W/Assy-Right Hand	1
3	7290391	Wear Strip	2
4	6012034	Bolt, Tine 7/16 UNC x 1-3/8	6
5	0100104	Washer	6
6	0311106	Capscrew 5/8unf 1-1/4ht	2
7	0311126	Capscrew 5/8 UNF X 1-1/2grs	4
8	00749136	Locknut, 5/8 X P1.25	6
9	0141004	Locknut 7/16 Unf Standard	6

FLAIL HEAD - MULTICUT



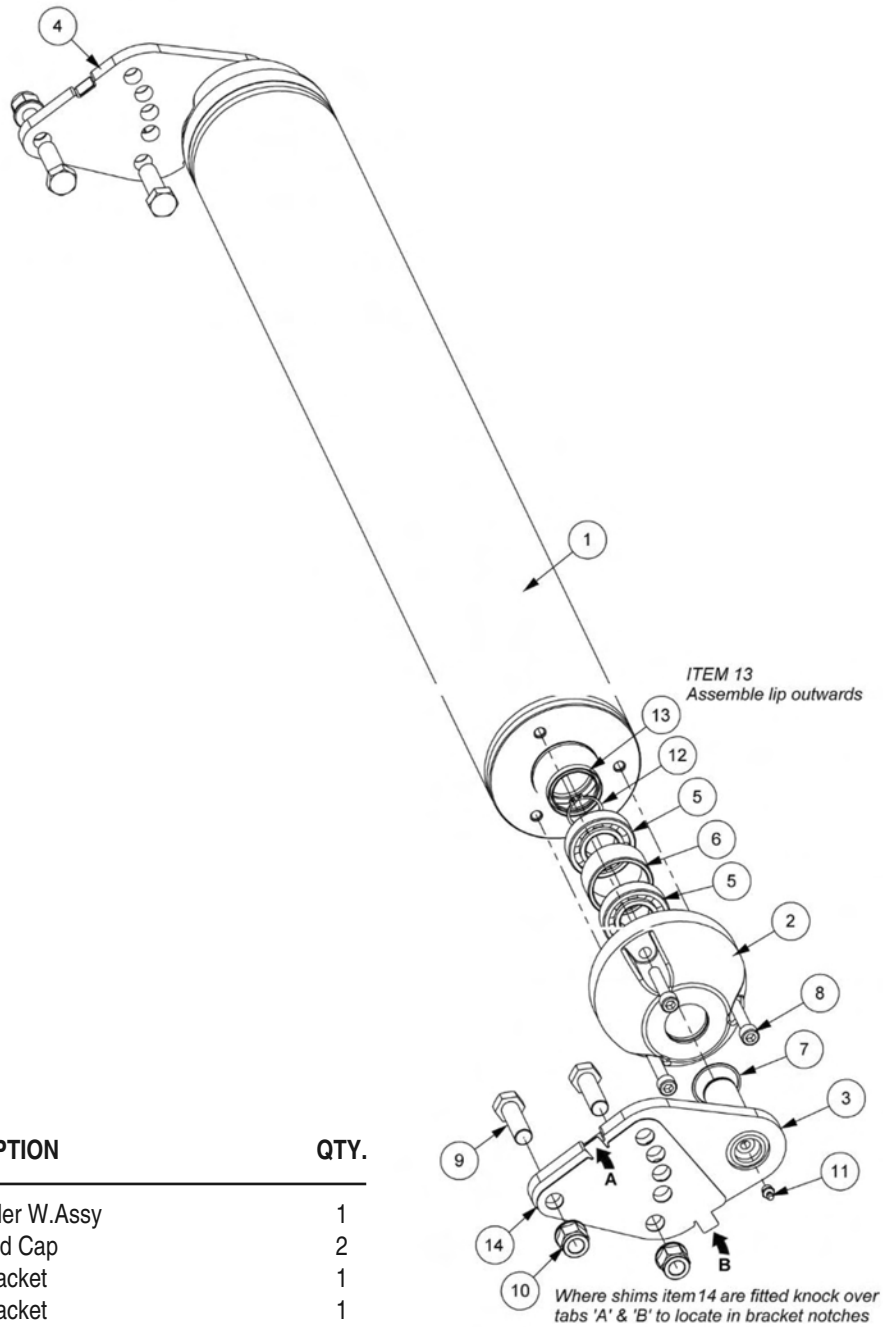
REF. NO.	PART NO.	DESCRIPTION	QTY.
1	22494.05	1.2 M Dd F.Head Casing Module	1
2	21523.08	1.2 DMS Roller	1
3	50068703	Flap Kit, Front	1
4	22497.02	1.2 M Rotor Module F10s.E Cast	1
5	22498.03	Multicut Quad Drive Module	1
6	22496.04	RH 52-65hp Motor Cover Module	1
7	22495.21	100 lpm Drive Module 54hp 1.2m	1
8	21978.10	Head Decal Kit Multicut	1
9	22906.01	Shipping Stand, Flail Head	1

ROTOR MODULE - MULTICUT



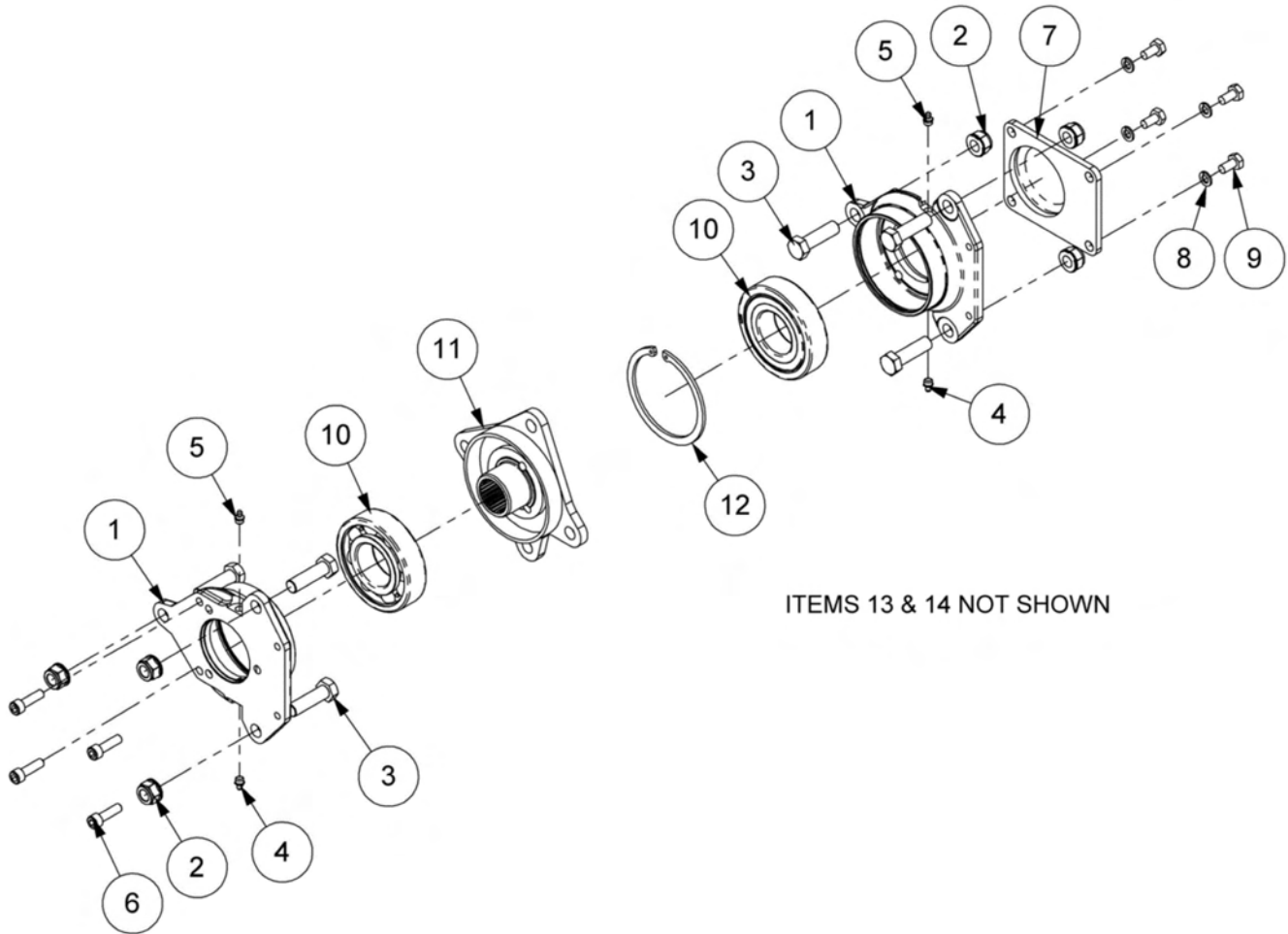
REF. NO.	PART NO.	DESCRIPTION	QTY.
1	22269.01	Rotor 1.2m Quad Drive	1
2	9353097	M16x45 Skt.Csk.Screw Bzp.	4
3	7390276	Flail, Single Edge	24
4	0901161	Grease Nipple M6 X 1 Straight	1
5	7314223	Bushing, Flail Pivot	24
6	9143007	Top Lock Nut 16mm-P2.0 Zp	4
7	7314201	Capscrew 5/8 Nf 3-1/4	24
8	0100206	Lockwasher 5/8 Dia.	48
9	00749136	Locknut, Toplock 5/8"	24

ROLLER ASSEMBLY - MULTICUT



REF. NO.	PART NO.	DESCRIPTION	QTY.
1	21394.03	1.2m Roller W.Assy	1
2	21394.32	Roller End Cap	2
3	21524.12	Roller Bracket	1
4	21524.13	Roller Bracket	1
5	0600111	Deep Groove Ball Brg 30x62x17	4
6	21523.31	Bearing Spacer	2
7	0402240	1.687" Int.Spirolox Ring	2
8	9343105	M10 X 50 Skt Capscrew Bzp	6
9	9200031	M16 X 1.5 Grade 8.8 Bolt 60 Lg	4
10	9100024	Nut	4
11	0901121	Grease Nipple, 1/8bsp-Straight	2
12	0401230	Circlip, External 30mm Dia.	2
13	8629239	Shaft Seal 40x50x7.0 Deep	2
14	42257.10	Shim 1.2m Dms Quad Drive	2

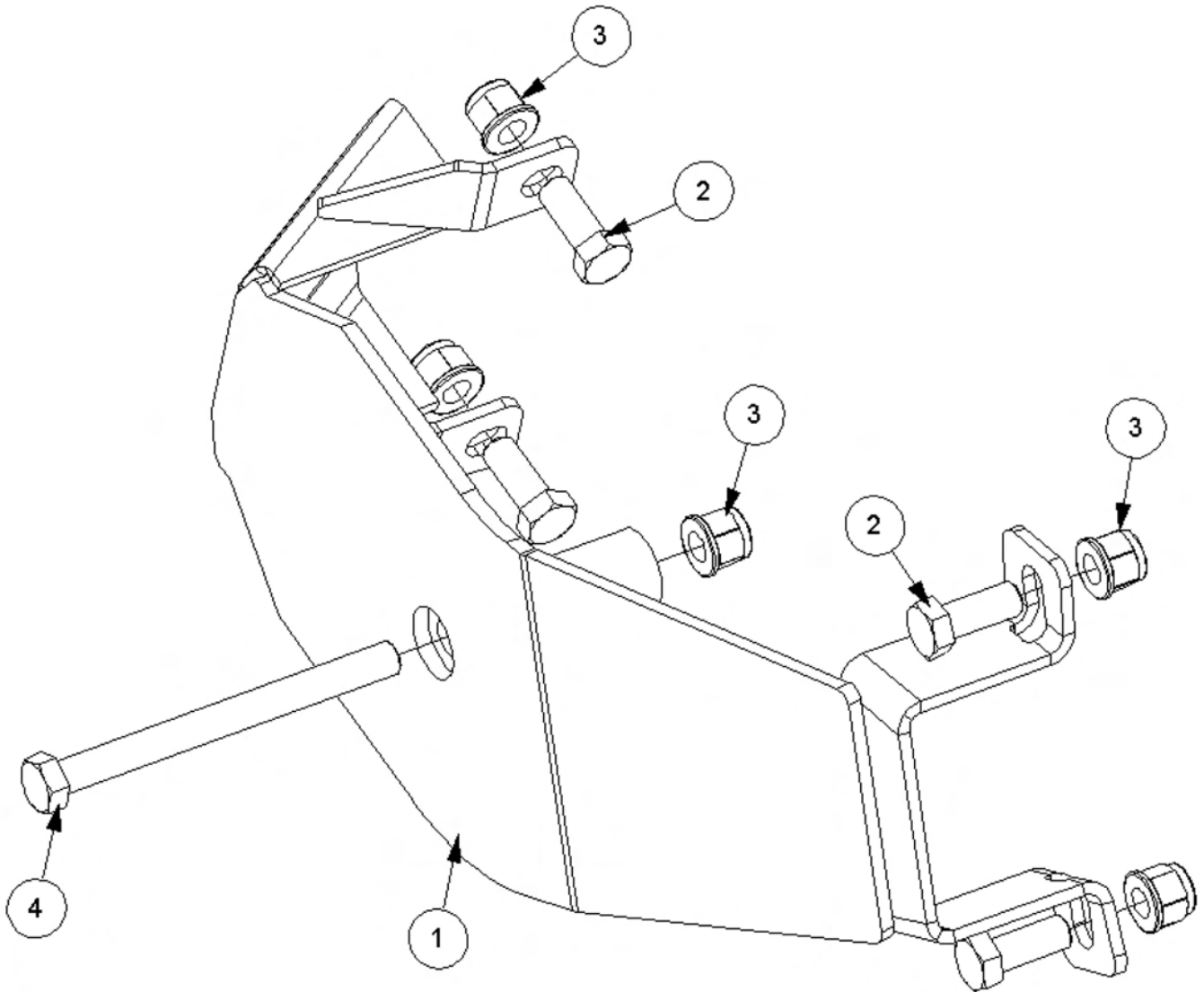
QUAD DRIVE MODULE - MULTICUT



ITEMS 13 & 14 NOT SHOWN

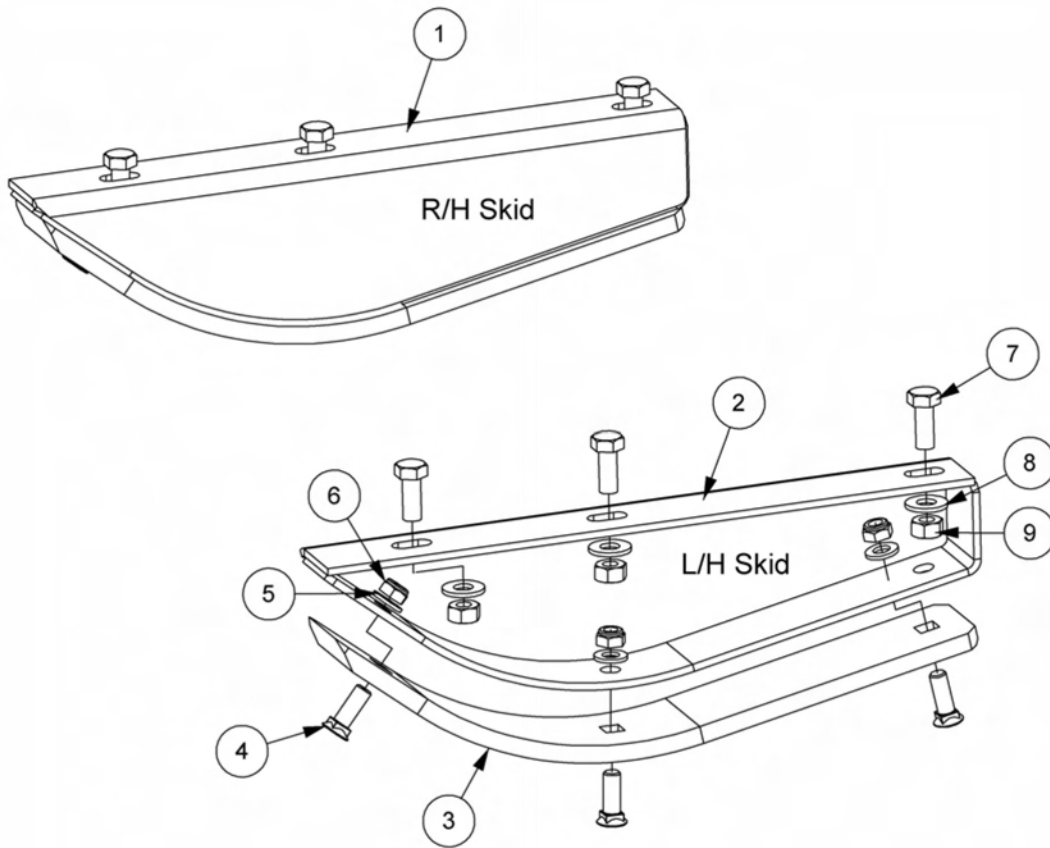
REF. NO.	PART NO.	DESCRIPTION	QTY.
1	7190261	Housing Bearing	2
2	9100024	Nut	6
3	9200031	Capscrew M16 - 1.5 X 60 Grade 8.8	6
4	0901121	Grease Nipple, 1/8bsp-Straight	2
5	0901125	Grease Fitting 1/8bsp x 45deg	2
6	9300144	Capscrew, Wedglok	4
7	7190292	Plate, Cover	1
8	9100205	Lockwasher 10mm Dia. Bzp	4
9	9313045	Capscrew M10-P1.5 X 20mm	4
10	0600018	Bearing 55x120x29mm 1r.15	2
11	22269.02	Drive Hub Quad Drive	1
12	7190022	120 Internal Circlip D1300-12	1
13	8121043	Spacer, Thin- Ref. 96-033	5
14	8121044	Spacer Thick	5

MOTOR COVER - MULTICUT



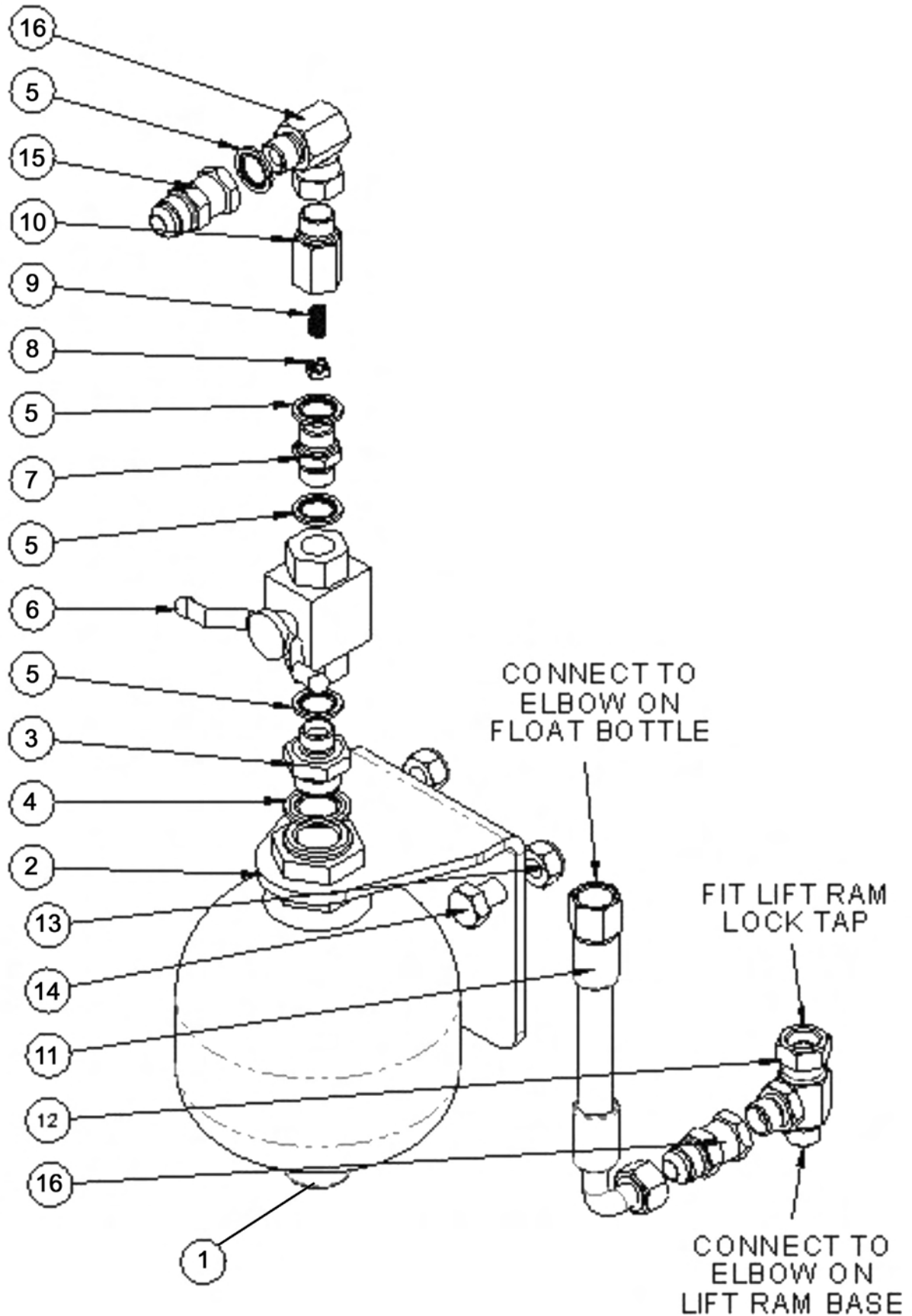
REF. NO.	PART NO.	DESCRIPTION	QTY.
1	42282.04	Motor Cover Rh	1
2	30.073.25	Capscrew M16 - 1.5p X 40 Lg	4
3	9100024	Locknut, Flanged M16-1.5p	5
4	9200034	Capscrew M 16 - 1.5p X 180 Lg	1

SKID KIT - MULTICUT



REF. NO.	PART NO.	DESCRIPTION	QTY.
1	7290389	Skid R/H	1
2	7290390	Skid L/H	1
3	7290391	Wear Strip	2
4	6012034	Bolt, Tine 7/16 UNC x 1-3/8	6
5	0100104	Washer	6
6	0141004	7/16 Unf Standard	6
7	9313066	Hexb Metric 12-P1.75- 30mm PI5	6
8	9100106	Washer, 12m Form A.Bzp	6
9	9143006	Nut Metric 12mm-P1.75 PI	6

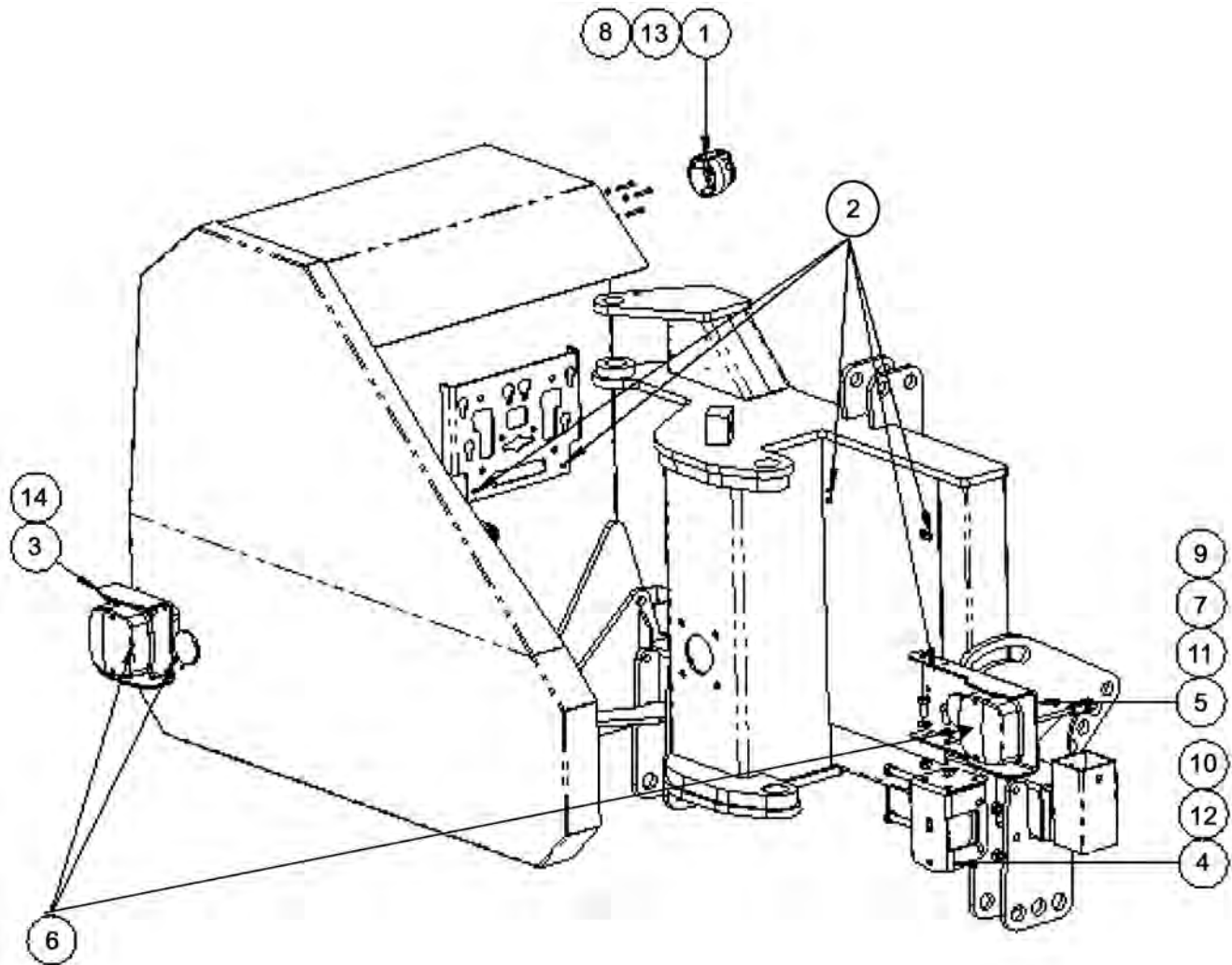
LIFT FLOAT KIT



LIFT FLOAT KIT

REF. NO.	PART NO.	DESCRIPTION	QTY.
1	8126044	Accumulator 1l 25 Bar Pc	1
2	8126318	Bracket Float Kit	1
3	G2410380	Adaptor 3/8 Bsp X M22 M-M	1
4	8650322	M22 Bonded Seal	1
5	8650103	Seal,3/8bsp Bonded	4
6	08.200.01	Valve, Ball	1
7	8581209	Union 3/8 Bspm X 3/8 Bspm	1
8	8123041	Disc, Restrictor-1.5mm Orifice	1
9	8116011	Spring .275x23 Swgx5/8 Lg	1
10	8581346	Adaptor Rest. Body 3/8mm	1
11	08.958.18	Hose 3/4" Jic Fs/F90 1000	1
12	11.068.69	Adaptor-Tee 3/8f-3/8m+3/8m	1
13	9163006	Nyloc Nut M12	2
14	9313056	Capscrew M12-P1.75- 25mm P15	2
15	8581221	Adaptor 3/8"Bsp F X 3/4" Jic M	2
16	8581117	Connector, 3/8 Bsp 90deg.	1

LIGHT KIT



REF. NO.	PART NO.	DESCRIPTION	QTY.
1	21678.07	7 Pin Socket Plastic 12v	1
2	22342.01	Cable Tie-4.8 Wide X 120 Lg	12
3	22484.02	Light Guard & Mtg - Rear Cover	1
4	22487.01	Light Mounting Bracket	1
5	22488.01	Ns Light Guard & Mounting	1
6	45900.07	Lighting Kit	1
7	9100105	Flatwasher,10.5 X 23.5 X 2.0	2
8	05.287.09	Nyloc Nut M5	3
9	9163005	Nyloc Nut M10	2
10	9163006	Nyloc Nut M12	2
11	9313055	Capscrew M10-P1.50- 25mm 5	2
12	9213246	Capscrew M12 X 120	2
13	9243062	CapscrewM5 X 30 Socket	3
14	9300164	M6 X 12 Taptite	4



BUSH HOG[®]

2501 Griffin Ave. • Selma, AL 36703
(334) 872-6261 • (334) 874-2700
Parts Ordering 1-800-304-2836
Fax 1-800-572-1784
www.bushhog.com